

TH

4,5.19 P

4,5.19

- New **enhanced** and **unparalleled** lifting capacities
- **Completely redesigned** machine management **software**
- Greatly improved **dynamic load** chart visualisation
- Fully revised **hydraulic** and **electrical** systems to facilitate after sales service

MAIN SECTORS



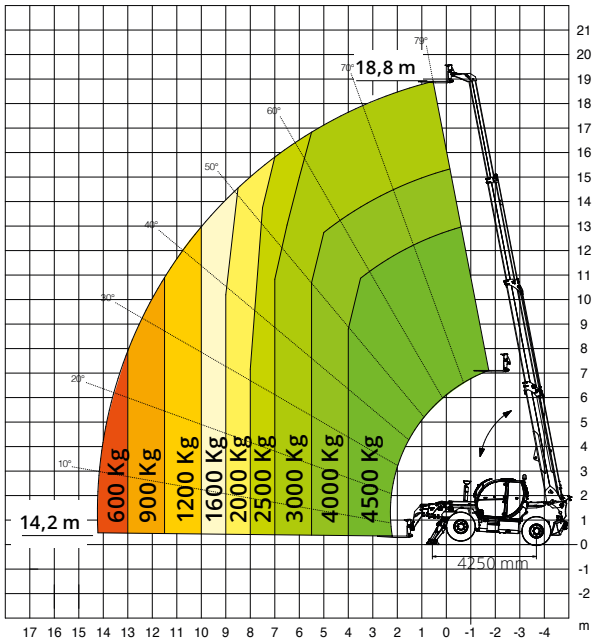
INDUSTRY



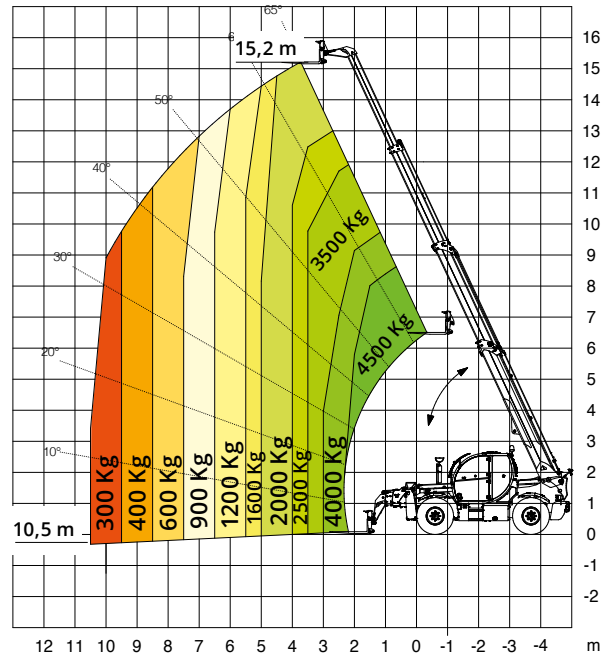
CONSTRUCTION



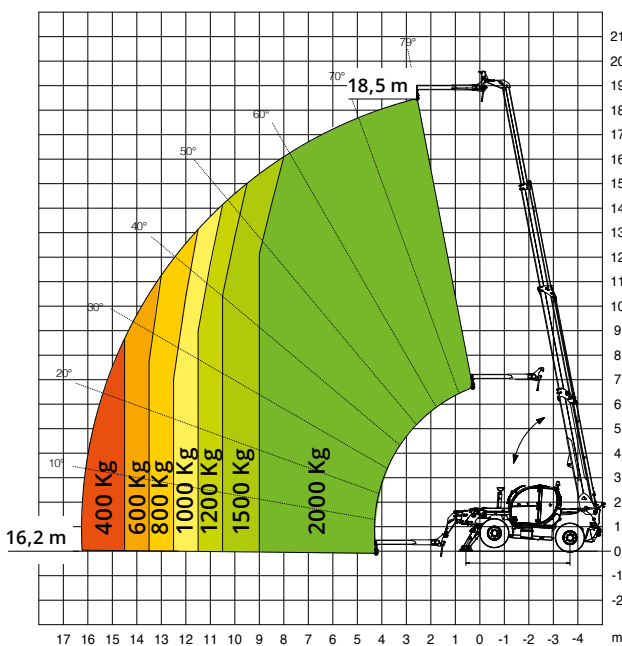
Load chart **on fully extended stabilizers**



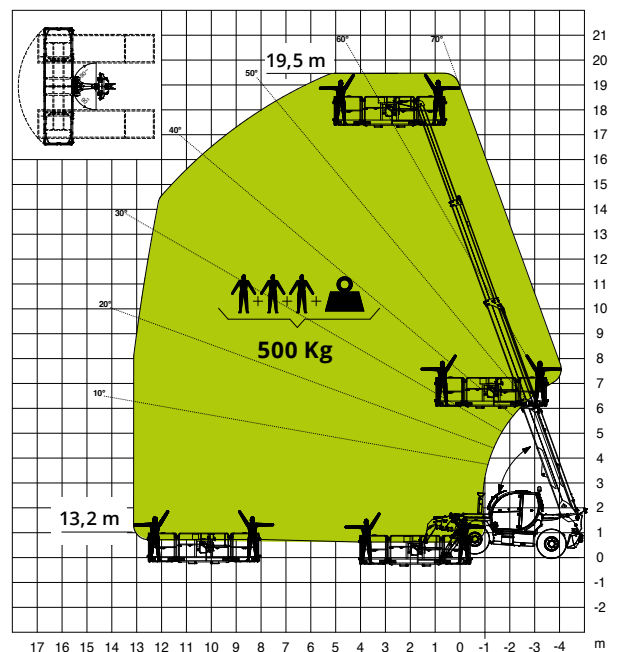
Load chart **on tyres**



Load Chart **Jib 2.000 kg**



Load Chart **extendable rotating platform 500 kg**



TH 4,5.19 P / 4,5.19

Machine model	TH 4,5.19 P		TH 4,5.19		
	Telescopic handler				
Maximum lifting capacity	4,500 kg		4,500 kg		
Maximum lifting height	18,8 m		18,8 m		
Engine	Type	Deutz TCD 3,6 L4 Stage V	Deutz TCD 3,6 L4 EDG - Stage IIIA	Deutz TCD 3,6 L4 Stage V	Deutz TCD 3,6 L4 EDG - Stage IIIA
	Rated power	74,4 kW (101,2 hp) @ 2,200 rpm		55,4 kW (75,3 hp) @ 2,200 rpm	
	Maximum torque	500 Nm @ 1,600 rpm		405 Nm @ 1,300 rpm	
	Displacement	3,6 l		3,6 l	
	Cylinders	4 in line		4 in line	
	Engine configuration	Diesel direct injection turbocharged		Diesel direct injection turbocharged	
	Cooling system	Water - intercooler		Water - intercooler	
Transmission	Type	Hydrostatic		Hydrostatic	
	Model	Bosch Rexroth		Bosch Rexroth	
	Maximum pressure	500 bar		500 bar	
	Displacements	Electronically controlled variable displacement pump Variable displacement motor		Electronically controlled variable displacement pump Variable displacement motor	
	Gear box	Dropbox, 2 speeds forward-reverse		Dropbox, 2 speeds forward-reverse	
Axles and brakes	Type	Axles with planetary gearboxes		Axles with planetary gearboxes	
	Rear axle	Oscillating and steering with hydraulic locking		Oscillating and steering with hydraulic locking	
	Front axle	Oscillating and steering with levelling +/- 8°		Oscillating and steering with levelling +/- 8°	
	Service brake	Hydraulically operated wet multi-disk brakes on each axle		Hydraulically operated wet multi-disk brakes on each axle	
	Parking brake	Hydraulic with negative action		Hydraulic with negative action	
	Tyres dimensions	445/65 R22,5		445/65 R22,5	
	Max. travel speed	35 km/h		25km/h	
Performance	Drawbar pull	72 kN		72 kN	
	Gradeability	59%		59%	
	Turning radius (end of forks)	5,720 mm		5,720 mm	
Weights	Total unladen	12,800 kg		12,800 kg	
	Front axle unladen (boom retracted and lowered)	5,600 kg		5,600 kg	
	Rear axle unladen (boom retracted and lowered)	7,200 kg		7,200 kg	
Tank and system capacities	Fuel tank	200 l		200 l	
	AdBlue	10 l		10 l	
	Hydraulic oil tank	90 l		90 l	
	Engine oil tank	9 l		9 l	
	Cooling liquid	20 l		20 l	
Hydraulic circuit for movements	Max. operating system pressure	350 bar		350 bar	
	Circuit type	Load sensing		Load sensing	
	Service pump	Variable displacement		Variable displacement	
	Controls for boom movements	Danfoss - SIL 2 Electro-proportional valve		Danfoss - Electro-proportional valve	
	Controls for stabilizers	Bosch Rexroth - Electro-hydraulic actuators		Bosch Rexroth - Electro-hydraulic actuators	
	Movements control	1 joystick Danfoss with FNR switch and dead man safety device - Management with CAN bus technology		1 joystick Danfoss with FNR switch and dead man safety device - Management with CAN bus technology	
Standard met	EN 1459-1: concerning standards for variable-reach trucks <i>Only for model TH 4,5.19 P:</i> EN 280 / EN 280-1: concerning standards for mobile elevating work platforms FOPS Level 2 / ROPS UE 2016/1628: concerning engine emissions standards				

TH 4,5.19 P / 4,5.19

