

RTH

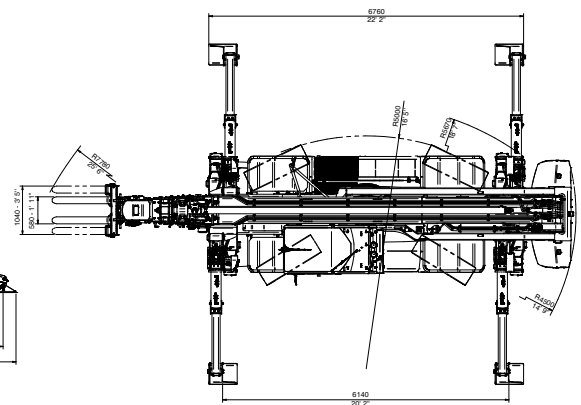
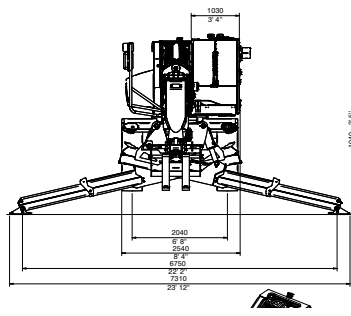
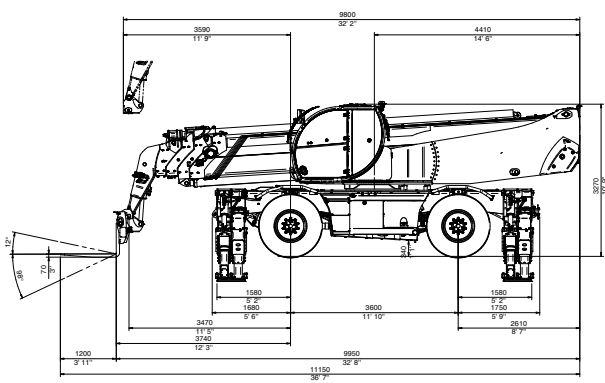
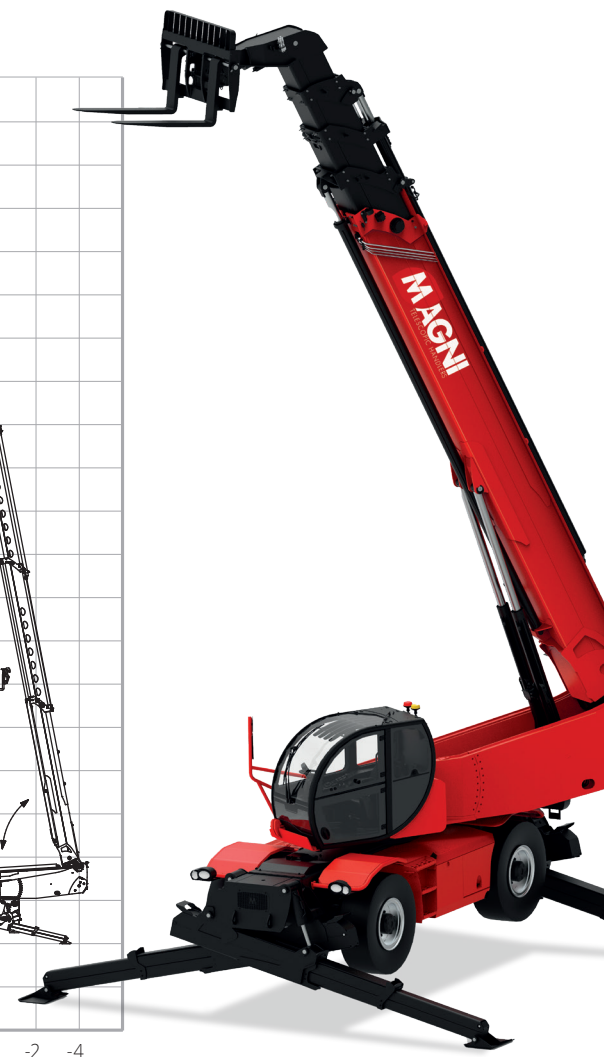
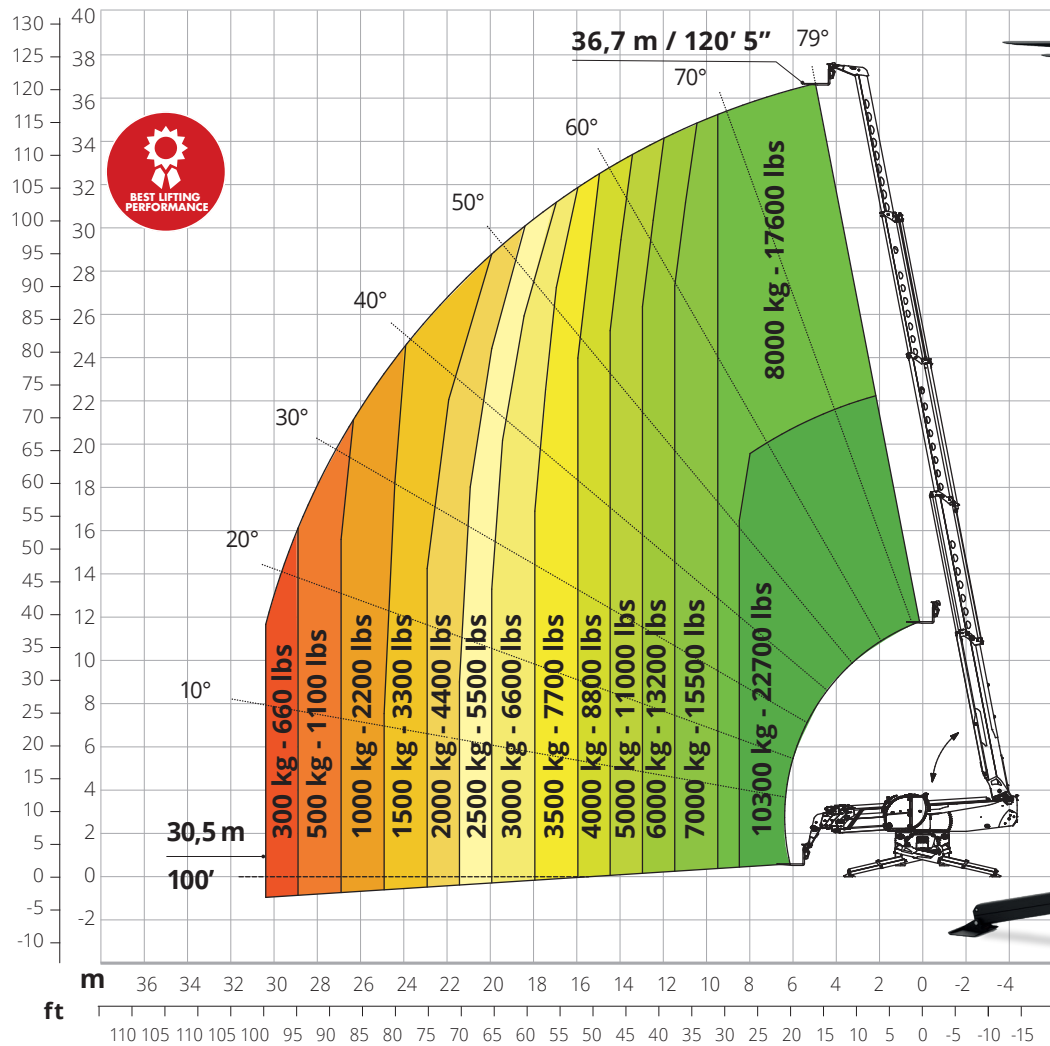


Model available from September 2023
Order intake from February 2023

10.37

PRELIMINARY

360° Load chart on fully extended stabilizers



RTH 10.37

PRELIMINARY

| | | | |
|--|---|---|--|
| | Rotatingy telescopic handler | RTH 10.37 | |
| Machine model | Maximum lifting capacity | 10,300 kg / 22,700 lbs | |
| | Maximum reach | 30,5 m / 100' | |
| | Maximum lifting height | 36,7 m / 120' 5" | |
| | Rotation | 360° (continuous) | |
| | Stabilizers | Type | Scissors Stabilizers with single telescopic extension (Magni patented) |
| Commands | | Independent or combined | |
| Engine | Type | Volvo TAD 583 VE Stage V | Volvo TAD 552 VE Stage IIIA |
| | Rated Power | 175 kW (238 hp) @ 2,300 rpm | 160 kW (218 hp) @ 2,200 rpm |
| | Maximum torque | 975 Nm @ 1,380 rpm | 910 Nm @ 1,450 rpm |
| | Displacement | 5130 cm ³ | |
| | Cylinders | 4 in linea | |
| | Engine configuration | Turbocharged direct injection diesel | |
| | Cooling System | Water – Intercooler | |
| | N. batteries | 2 x 12 V | |
| | Battery type | SHD | |
| Batteries capacity | 1200 A-190 Ah | | |
| Transmission | Type | Hydraulic | |
| | Maximum pressure | 480 bar | |
| | Gearbox | 2 speeds forward-reverse | |
| Axles and brakes | Type | Axles with planetary gearboxes | |
| | Front axle | Oscillating, steering with levelling +/-8° | |
| | Rear axle | Oscillating and steering with hydraulic locking | |
| | N. steering weels | 4WD | |
| | Steering types | Front/Round/Crab | |
| | Service brake | Hydraulically operated wet multi-disk brakes on each axle | |
| | Parking brake | Hydraulic with negative action | |
| | Tyre sizes | 17,5 R25 | |
| Performance | Max. travel speed | 25 km/h | |
| | Drawbar pull | 152 kN | |
| | Gradeability | 43% | |
| | Turning circle (at forks) | 8.230mm / 27' | |
| Weights | Total unladen | 33,800 kg / 74,516 lbs | |
| | Front axle unladen (boom retracted and lowered) | 14,100 kg / 31,085 lbs | |
| | Rear axle unladen (boom retracted and lowered) | 19,700 kg / 43,431 lbs | |
| Tank and system capacities | Diesel fuel tank | 234 l / 62 US gal | 234 l / 62 US gal |
| | AdBlue | 10 l / 2.6 US gal | / |
| | Hydraulic fluid | 260 l / 69 US gal | 260 l / 69 US gal |
| | Engine oil | 16 l / 4 US gal | 16 l / 4 US gal |
| | Cooling liquid | 40 l / 10.5 US gal | 40 l / 10.5 US gal |
| Hydraulic circuit for movements | Circuit type | Load sensing | |
| | Service pump | Variable displacement piston pump | |
| | Max hydraulic capacity | 170 l/min | |
| | Max. working pressure | 350 bar | |
| | Distributor for boom and turret movements | SIL 2 electro-proportional valve | |
| | Movements control | 2 no. two-axis Danfoss joysticks with deadman safety device | |
| Standards met | EN 1459-2: concerning standards for slewing variable-reach trucks | | |
| | EN 280 / EN 280-1: concerning standards for mobile elevating work platforms | | |
| | FOPS Level 2 / ROPS | | |
| | EU 2016/1628: concerning engine emissions standards | | |

The data in this brochure are informative and subject to change without notice. All Pictures shown are for illustration purpose only. Actual product may vary.