

# AERIAL WORK PLATFORMS







**Quality, craftsmanship and innovation.  
The secret lies in precision. Having clear ideas is vital:  
we need to know where we want to go and what we want to create.  
And at Magni, we throw our all into accomplishing it.**

**Riccardo Magni – President**

---

Magni Telescopic Handlers was founded in 2013. Thus, began the development of the widest range of rotating telescopic handlers on the market; from rotating telescopic handlers to fixed, heavy-duty models and construction fixed boom telehandlers. Italy was no longer enough and so six further branches have been set up: Magni TH France, Magni UK, Magni America, Magni Deutschland, Magni SA and Magni Asia Pacific. To offer our clients the best technical and commercial service around, we have created a network of over 300 dealers, a number that is constantly increasing. And that is just the beginning of our story.

AERIAL  
PLAT

# WORK FORMS

## **PAGE INDEX**

**ELECTRIC AND MANUAL  
SCISSOR LIFTS** **5**

**ROUGH TERRAIN  
SCISSOR LIFTS** **17**

**VERTICAL  
MAST LIFT** **27**

**AVAILABLE  
OPTIONS** **35**

**TECHNICAL  
DATA** **39**



# **ELECTRIC AND MANUAL SCISSOR LIFTS**

---

Magni's electric scissor lifts offer indisputable productivity together with extreme ease of use. The machines' efficient design means less scheduled maintenance and provides a quieter, emission-free worksite. All components undergo Magni's strict quality and safety controls. With working heights ranging from 6 to 32 metres, they are the ideal product for both indoor and outdoor work environments.

# ELECTRIC AND MANUAL SCISSOR LIFTS



## SCISSOR LIFTS

These scissor lift platforms are used for safe and efficient people lifting. These are versatile machines designed for different types of applications, mainly for indoor usages.



## MANUAL

The model ES0607ME is the only manual drive/ pushdrive (lifting is done by hydraulic pump supplied by power from batteries) model present in our range. It is the best solution for small space and minor maintenance works at height.



## ELECTRIC

The electric models are extraordinarily mobile, and assist in manoeuvring with ease around confined spaces in indoor and outdoor workplaces, on flat surfaces. Low-emission electric scissors deliver a quiet, convenient method for operation in sound-sensitive environments like office buildings, shopping malls, hotels, schools and more.



## INDOOR/OUTDOOR

Range mainly dedicated to indoor building maintenance works but with the possibility of working outdoors on flat and even surfaces. While outside working with your platform the wind speed must not exceed 12.5 m/s.

**ZERO EMISSIONS / COMPACT  
DIMENSIONS / BOOST  
PRODUCTIVITY / MORE UPTIME**



ES0607M



ES0607EP



ES0608EP



ES0708EP



ES0807AC



ES0808AC



ES0812AC



ES1008AC



# MAIN APPLICATIONS



## Maintenance



## Plant services

- Lighting
- Air conditioning/heating systems
- Electrical and safety systems
- Sprinklers and plumbing installations



## Construction

- Renovation / Insulation / Safety



## Storage/Warehousing:

- Logistics
- Stock management
- Pallet racking installations



## Cleaning



## Painting Restoration



# EXTREMELY MOBILE



ES1012AC

ES1212AC

ES1412AC

ES1612AC/ACP

ES2212E

ES2814E

ES3214E

# INCREASED PRODUCTIVITY

---



Setup platform in 3-4 positions.

## Swing gate

replaces the standard sliding mid-rail for walk-in access to the platform. This allows for easy entry and exit when wearing a tool belt, carrying a tool box, or loading materials into the platform.

## Non-slip floor

To guarantee a very high level of safety, all the electric platforms have a non-slip flooring. Staying at altitude will thus be made easier by a system that prevents slipping while working.

## Scissor arms

Steel grade in yield strength 500MPa. Steel lighter of weight but more durable in using. 100% in house production. Maintenance-free bushings.

## IP67 WATERPROOF AC SYSTEM

The fully sealed IP67-certified AC\* system ensures greater water and dust proofing. Internally installed, temperature and speed sensors allow to monitor the machine in real-time.

\*Available only for AC models of the range.



## ONBOARD DIAGNOSTICS SYSTEM

The onboard display provides immediate feedback on machine status through visual indications without the need for analysis. This reduces the time taken to resolve errors. Moreover, this system allows to customize some control



## STABILISERS

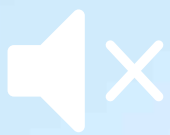
The **ES2212E**, **ES2814E** and **ES3214E** models are equipped with stabilisers to level the platform when working at height. Therefore, maximum safety is guaranteed even when the platform is working at its full height.





## SILENT-RUNNING, WITH ZERO EMISSIONS

These platforms are ultra-quiet and produce no emissions, making them ideal for use inside shopping centres, gyms, schools and warehouses. Today, more people are demanding environmentally friendly equipment. Magni line of electric powered mobile elevating work platforms are the green machines in the lift industry. This range is designed to have fewer scheduled services, a quieter work area, less dependency on hydraulic oils and of course zero emissions.



GRADEABILITY  
**25%**

# SAFETY AND STABILITY

---

## Automatic pothole protection system

Consists of two mechanically activated side skirts which rest closer the ground, thus increasing the overall stability of the platform. Automatic stationing of pothole system, operators don't need to think about deploying. Sensors monitor the correct deployment of the pothole system which will not allow the machine to raise if pothole system is not set correctly.

## Platform overload

The platform has been calibrated by the manufacturer in order to prevent any movement if excessive weight is detected on the platform.

## CRUSHING PROTECTION

Safety device which features an electric limit switch 2 metres before full closing, which holds the platform in place. Just releasing the joystick and resuming the operation will complete the descent.

## GROUND CLEARANCE

High ground clearance allows for easy transport loading and great breakover angle. Allows for travelling and working on less smooth surfaces. Drive over cables, hoses, wooden planks and general rugged terrain.

## SELF-LOCKING DOOR ON THE PLATFORM

The door handle is ergonomically designed in order to facilitate access and increase safety, even when wearing gloves.

## SPEED LIMIT AT MAX. HEIGHT

it decreases the machine drive speed when the platform is elevated.

## AUTOMATIC BRAKING SYSTEM

To prevent unwanted movements, all lifts are equipped with automatic brakes which are released when you activate the drive function.

## EMERGENCY BRAKE RELEASE

In case of failure/emergency situation it is possible to manual switch off brakes and move machine to safe place, brakes are activated automatically when you use the drive function from control panel.

## TILT INDICATOR WITH ALARM

This is a safety device installed on the machine which monitors the grade in order to inhibit any movement likely to worsen the situation when the machine is on an incline which is greater than the permissible limits.





### **WARNING SIREN DURING LOWERING AND DUAL FLASHING LED LIGHT**

Orange flashing lights warn workers when the platform is moving or in operation.

### **SAFETY BRACKET FOR MAINTENANCE OPERATIONS**

Prop used to prevent the scissor armstack from collapsing during maintenance works.

### **HORN**

The horn is tested to meet the standard dB required.

### **CYLINDER LOCKING VALVE**

Safety device which keeps cylinder in the same position in case of leakage or breaking hydraulic hose/line.

### **EMERGENCY STOP BUTTON**

Safety device which automatic switch off all functions and engine when pushed in.

### **EMERGENCY LOWERING**

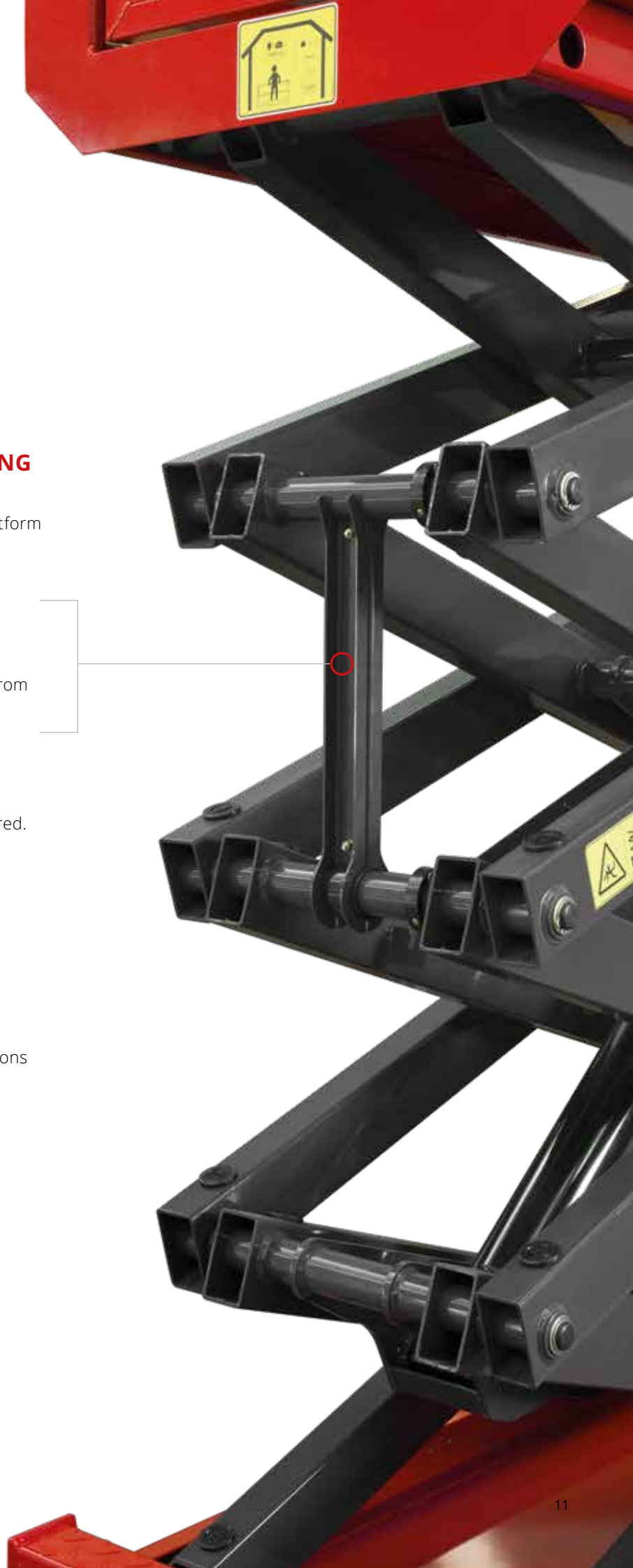
Allows the machine to be lowered in emergency situations, enabling the operator to be brought safely to the ground.

### **TRACTION ENGINE PROTECTION**

In all Magni's models we have included motor protection plates to secure these components from collision damage.

### **ANCHORING EYEBOLTS**

On the platform for safety transport.







# ELEVATED EFFICIENCY

---

## FRONT WHEEL DRIVE & MANOEUVRABILITY

Most models feature zero inside turning radius for excellent manoeuvrability in tight spaces like congested construction sites, elevators and narrow aisles.

These compact units easily pass through standard single or double doors. Smooth proportional controls and a narrow chassis are just some of the features that come standard and help you get the job done with greater speed and efficiency.

## BATTERY

High capacity batteries come standard on the whole range. The large potential of the batteries ensures great endurance ability and stable performances during the entire working session.

Depending on the model we use AGM, acid or lithium batteries. The power is perfectly calibrated to ensure maximum efficiency in any operation.

For the type of batteries mounted on the models, refer to the technical data sheets on pages 40-41.

## BATTERY CHARGER

Smart charger with Global AC

---

INPUT:	100 / 240V - 50 / 60 Hz
OUTPUT:	24V / 48 V - 8.5A / 10A
CHARGING CURVES:	According to battery kinds (AGM, Flooded, GEL & Lithium), brands & model numbers. You can personalize setting for charging batteries via USB port..

---

## POWER TO PLATFORM

Keep your tools and components within arm's reach. You can now have your drill or saw in the platform thanks to the power plug. Especially for electrical contractor applications that require battery-powered tools, this option keeps your tools within reach.

## INTUITIVE CONTROLS AND SIMPLIFIED OPERATION

Our control cradle design allows use on all sides of the basket and enables easy operation from both in the basket and on the ground. The controls can be hooked on to any side of the machine or can be held left or right handed for easy operation.





# HIGH-TECH FEATURES

---

## PROPORTIONAL CONTROLS

Fully proportional raise and drive controls with creep speed mode allows for precise machine movements.

## UPPER CONTROL

- Joystick
- Deadman switch
- Lift function
- Drive function
- Drive speed button
- Emergency stop button
- Horn button



## ECU

- Toggle switch for ground operation of platform.
- Touch screen for system setting & configuration.
- System diagnostic function through the software.
- Customized "Lock vehicle" function for rental company.
- System setting & calibration are protected by PIN code.
- Use friendly guided menu for system setting & calibration.
- Equipped with internal data logger managed by software.
- Automatic calibration.

## TWO TRAVEL SPEEDS

Tortoise/Hare. Proportional controls joystick with integrated steering switch. The joystick allows lifting and travel operations to be performed.



## Ergonomic and removable control cradle

All models are equipped with:

- Proportional joystick with a safety "trigger"
- Thumb steer function
- Speed selector switch
- Battery level indicator
- Emergency switch



# COMPACT AND VERSATILE

---

Compact platforms which allow access through internal doors to reach the tightest spaces



## FOLD-DOWN CONVENIENCE

Fold-down guardrails allow increased accessibility for loading and unloading the machine in trucks, containers and other situations with limited space. These features also allow easy access through doorways, elevators, etc.

## EASE OF TRANSPORT

Fits on a trailer or tilt-back truck (low weight, good gradeability, compact). Winch point on the front of the chassis supports easier loading and unloading. Forklift pockets, that help to move easily the platform, especially outdoor to get into the work-site.

## ZERO TURNING RADIUS

All models have zero(or very close to zero) turning radius ideal when manoeuvring in tight spaces.

## NON-MARKING TYRES

Hard special rubber with thread design that doesn't leave any marks on the floor and perform a good grip.





# **ROUGH TERRAIN SCISSOR LIFTS**

---

Magni's rough terrain scissor lift offer competitive lifting speeds and large working areas to guarantee your productivity and safety on any site. Rough terrain scissor lift are perfect for rough terrain and uneven working areas. Auto levelling outriggers are a further guarantee for off-road works.

# ROUGH TERRAIN SCISSOR LIFTS



## SCISSOR LIFTS

Rough terrain (RT) scissor lifts are tough, construction-oriented four-wheel drive machines with positive traction control – ideal for increasing productivity in demanding outdoor worksites.



## DIESEL-POWERED

These models are designed to stand up to the demands of frequent use in diverse conditions.



## ELECTRIC-POWERED

Rough terrain scissor lifts include fully electric models to boost jobsite versatility while representing significant cost savings over diesel powered ones.



## 4 WHEELS DRIVE

These platforms can easily handle rough terrain thanks to their powerful four-wheel drive transmission\*.

(\*except for models ES1218RT / RTW ed ES1418RT / RTW)



## 4 WHEELS STEERING

You can steer each axle independent, it allows to drive in "crab" mode, with this option improved productivity and manoeuvrability on worksite. Available only on model DS2223RTP/ES2223RTP.



## OUTDOOR

Outdoor functionality on different surfaces, providing accessibility for a wide variety of applications and jobs.

**OUTDOOR FUNCTIONALITY /  
DESIGNED TO MEET WORKSITE  
NEEDS / PERFORMANCE &  
POWER / SPEED AND TRACTION**

DIESEL (DS) - ELECTRIC (ES)



Height from 12 m to 22 m



DS1218RT / ES1218RT



DS1418RT / ES1418RT



ES1218RTW / ES1418RTW



DS1523RT / ES1523RTP

# MAIN APPLICATIONS



## Plant services

Lighting  
Air conditioning/heating systems  
Electrical systems  
Safety systems



## Maintenance

Exterior cladding  
Road and bridge maintenance  
Aerial inspection



## Distribution, Logistics

Vertical storage  
System installation



## Large events

Concerts  
Festivals



## Construction

Brickwork  
Sandblasting  
Curtain walls  
Sandwich panel  
Cladding  
Window installation  
Roof repairs



# BUILT TO LAST



DS1823RT / ES1823RTP



DS2223RTP / ES2223RTP



DS2825RT / ES2825RT



DS3225RT / ES3225RT

# BEST-IN-CLASS PERFORMANCE



**50%**  
GRADEABILITY

## GRADEABILITY

Rough terrain scissor lifts are equipped with positive traction control for traction and are able to work efficiently on uneven terrain. This is a true highly efficient, mechanical four-wheel drive system which, when combined with a selective differential lock, provides unmatched traction **and up to 50% gradeability**. This range is mostly built for the rental industry and built to last. They're designed to stand up to frequent use in diverse and extreme worksite conditions.

## OSCILLATING AXLE

Magni's oscillating axle automatically senses the terrain and adjusts the axle position based on ground conditions for maximum stability.

(Except DS2223RTP / ES2223RTP)



## AIRRIDE RT TYRES

Solid rubber non-marking tyres are standard on all of the Rough Terrain models. They provide a damage resistant alternative for enhanced protection from terrain and debris found on a typical job site. A deep rough terrain tread provides optimal traction while also extending the serviceable life of the tyres.



## OUTRIGGERS

All four outriggers automatically deploy simultaneously to ensure the lift is levelled on uneven ground before elevating the platform. Automatic retraction of outriggers while drive, no need to waste time on retracting stabilizers. Auto-leveling outriggers allow for use on rough and uneven conditions. Increased cylinder rod length provides greater clearance and leveling capability - up to 10°(front to back) or 6° (side to side). Individual outriggers can still be controlled from the base control box for any service or maintenance needs.





## Drive at Full Height

Designed to offer an excellent combination of height and lifting capacity, it is engineered with a centered link stack under the platform provides the operator with a stable feel.

# MAXIMIZE YOUR PRODUCTIVITY

---

**Platform extension** —————>  
(4.31 to 7.29 m)



## MORE ROOM ON-BOARD

These units are ideal for jobs that require greater capacity for more workers, materials and tools. For added workspace, Magni's Rough Terrain model DS2223RTP and ES2223RTP come standard with a hydraulic multi-position slide-out extension deck on the front of the platform. Construction-oriented machines, which can increase operator productivity on demanding outdoor worksites.



## FOLDING RAILS FOR RESTRICTIVE WORK ENVIRONMENTS

Neatly folding guardrails facilitates storage, transport and passage through narrow areas like doorways, into goods lifts and throughout other height-restricted areas. The narrow width allows the platform to be easily towed on a tandem trailer and the excellent ground clearance combined with an oscillating axle (standard only on DS1218RT/ES1218RT/DS1418RT/ES1418RT) tackle all terrain with ease.



## ON-BOARD DIAGNOSTIC SYSTEM

To provide immediate feedback on machine status, an onboard display provides visual indications without the need for analysis, reducing the time taken to resolve errors. Plus, slide or pull-out engine trays allow easy access to components – no need to reach around obstacles inside the machine. Many parts and service procedures are common across the entire Magni scissor lifts range for cost-effective parts stocking and maintenance efficiencies.



## POWER TO PLATFORM

Keep your tools and components within arm's reach. You can now have your drill or saw in the platform thanks to the power plug. Especially for electrical contractor applications that require battery-powered tools, this option keeps your tools within reach.



# AN EYE ON THE ENVIRONMENT

Having regard to the strong market interest for green and eco-sustainable proposals, Magni has decided to upgrade its offer installing Stage V motors on this product range. They will be standard on the models **DS1523RT**, **DS1823RT** and **DS2223RTP**. This solution will lead to a reduction in fuel consumption, estimated between 10 and 15%. Thus, a lower environmental impact solution, in line with the latest European regulations, will be provided to the market.



# SAFETY FIRST

---



## Ground control « panel

A visual display module at the base control box provides an easy to navigate interface – outputting plain text and easily understood codes.

### SAFETY BRACKET FOR MAINTENANCE OPERATIONS

Prop used to prevent the scissor armstack from collapsing during maintenance works.



### **PLATFORM OVERLOAD**

Magni has calibrated the platform to prevent any movement if excessive weight is detected on the platform.

### **CRUSHING PROTECTION**

Safety device which features an electric limit switch 2m before full closing, which holds the platform in place. Just releasing the joystick and resuming the operation will complete the descent.

### **TILT INDICATOR WITH ALARM**

This is a safety device installed on the machine which monitors the grade to inhibit any movement likely to worsen the situation when the machine is on an incline which is higher than the permissible limits.

### **EMERGENCY LOWERING**

Toggle switch for enable and toggle switch for emergency lowering function.

### **SELF-LOCKING DOOR ON THE PLATFORM**

The door handle is ergonomically designed to facilitate access and increase safety, even when wearing gloves.

### **NON-SLIP FLOOR**

To guarantee a very high level of safety, all the platforms have a non-slip flooring. Staying at altitude will thus be made easier by a system that prevents slipping while working.

### **DUAL FLASHING BEACONS**

Orange flashing lights warn workers when the platform is moving or is in operation.





# **VERTICAL MAST LIFT**

---

Magni MJP 11.5 is a jib machine that offers outreach capability to get virtually any job done. A 140° rotating jib and a 360° mast rotation add manoeuvrability for even more precision. These capabilities combined with the designed for applications requiring up-and-over features, make Magni the perfect partner for maintenance workers.

# VERTICAL MAST LIFT

---



## VERTICAL MAST LIFT

It is a self-propelled electric mast boom lift equipped with a jib boom. Its ultra-narrow design is ideal for compact spaces that require up-and-over capabilities.



## ELECTRIC

Equipped with an efficient electric drive motors and a low machine weight, this vertical mast lift is the solution for hard-to-reach jobsite needs.



## INDOOR/OUTDOOR

Suitable for both indoor and outdoor applications, the MJ11.5 features non-marking tyres as standard.



**PUTTING YOUR WORK ABOVE  
EVERYTHING / REACH WHAT OTHERS  
CAN'T / COMPACT DIMENSIONS FOR  
GETTING INTO HARD-TO-REACH AREAS**



# MAIN APPLICATIONS



## Maintenance

Safety  
Inspections



## Plant services



## Construction

Renovation  
Insulation



## Cleaning

Shopfitting  
Decoration and signage



## Painting Restoration



PLATFORM  
ROTATION  
**345°**

OUTREACH  
**3m**

WORKING HEIGHT  
**11,2m**

WORK CLEANER  
/ WORK UP,  
OVER AND  
AROUND

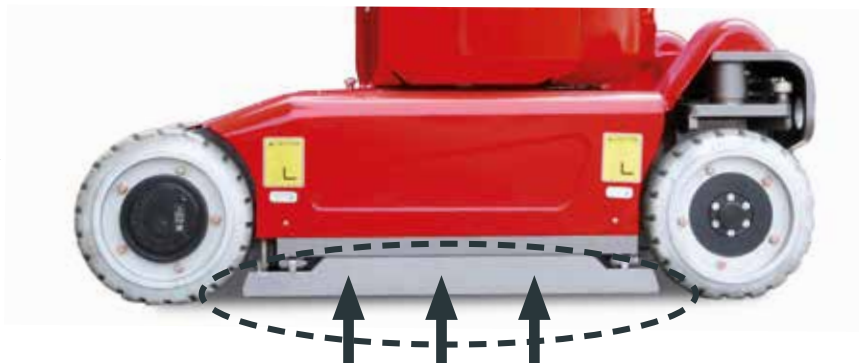
# MJP11.5



# AGILITY AND ACCESSIBILITY

## POTHOLE PROTECTION

Consists of two mechanically activated side skirts which rest closer the ground, thus increasing the overall stability of the platform. You're equipped better than ever to meet your access challenges.



## ZERO TURNING RADIUS

This unit has zero turning radius ideal when working in tight spaces.

## HIGH-TECH DISPLAY

Convenient for quick fault diagnosis and function settings



## POWER TO PLATFORM

Keep your tools and components within arm's reach. You can now have your drill or saw in the platform thanks to the power plug. Especially for electrical contractor applications that require battery-powered tools, this option keeps your tools within reach.



# FACILITATED OPENING FOR MAINTENANCE

You can easily carry out handling or maintenance operations, both indoor and outdoor, on even surfaces keeping the cost of ownership down.



**A**

**B**

**A - B**  
Light doors with wide opening for complete and easy control of the electrical, hydraulic and inspectable batteries

Robust steel cover that ensure more stability to the platform

Anchoring eyebolts on the lower part of the chassis for secure during transport or lift machine.

# PRODUCTIVE SOLUTIONS

---

## BUILT TO TAKE ON YOUR FACILITY CHALLENGES

Features that come standard and help you get the job done with greater speed and efficiency:

- Zero inside turning radius
- 25% gradeability
- Non-marking solid rubber tyres that leave facility floors intact
- Smooth proportional controls
- Narrow chassis
- Greater horizontal outreach

The lightweight construction makes it easy to drive, use and transport, delivering excellent uptime.

## EASY CONTROL AND SERVICE


Platform controls are equipped with on-board diagnostics. The model is equipped with an auxiliary platform-lowering feature located at the ground controls, enabling descent in the event of a power failure. Proportional lift and drive controls provide a smooth ride. Plus, hinged rear covers allow easy access to all major components for convenient servicing.

## USER-FRIENDLY CONTROLS

Controls include a low battery indicator, locking key switch and dual-activated up/down switch. The platform can be easily moved around your worksite and set up in seconds.

## EXCEPTIONAL STABILITY

Robust steel mast provides user comfort and security, and features heavy-duty lifting chains for strength and reliability. Units also feature built-in automatic level sensing. Can be used by two operators simultaneously.

An illustration showing the rear portion of a truck's platform on a ramp. The platform is dark grey, and the ramp is a dark grey triangle. A dashed red line indicates the angle of the ramp. The truck's rear wheel is visible on the left side of the platform.

**GRADEABILITY**  
UP TO **25%** TO GET  
ON THE RAMPS  
OF THE TRUCKS

**11,2 m**

max working  
height

11 m

10 m

9 m

8 m

7 m

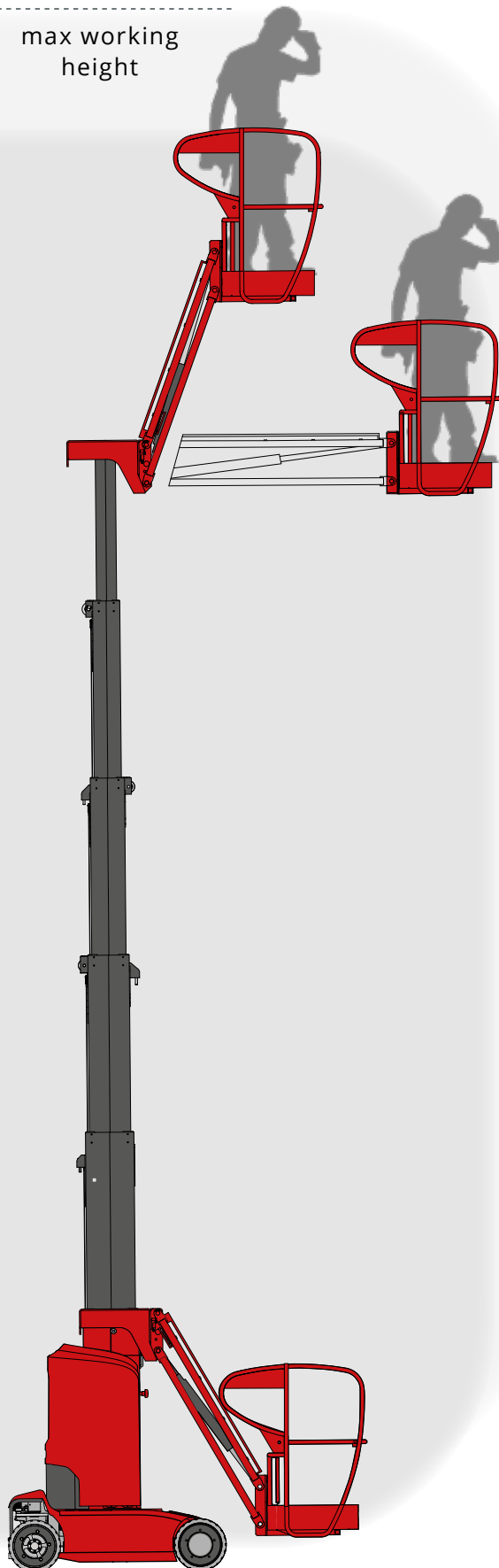
6 m

## **SAFETY 100%**

- Overload alarm
- Tilt sensor
- Manual descent
- Flashing beacons
- Function lock with low battery
- Low battery indicator

2 m

1 m



3 m

**OUTREACH**

3 m



# AVAILABLE OPTIONS



These options are designed to increase your productivity, conserve platform space and improve working conditions in total safety.

# AVAILABLE OPTIONS

---

Designed to increase your productivity and improve working conditions in total safety. Customize your product to obtain the maximum comfort and efficiency in each work.

## **IP67 CHARGER**

An IP67-certified charger can be fitted on request. It features a dust and particle protection system which also prevents the access of water and humidity.

*Available for: ES*

## **LITHIUM BATTERY**

Maintenance-free lithium batteries can be installed on request. They allow to extend working cycles and battery life.

*Available for: ES*

## **SPECIAL COLORS**

Option consisting of the possibility to replace Magni red paint of the platform with a specific RAL to match your corporate colors and fleet.

*Available for: ES, DS, MJP*

## **EFFICIENCY**

### **COMPRESSED AIR TO PLATFORM**

On-board air line from chassis to platform allows operator to use pneumatic tools when air compressor is connected to chassis socket.

*Available for: ES, DS, MJP*

### **PLATFORM WORK LIGHT (ONE LIGHT)**

Add work lights to your platform and allow operators to work more efficiently in better illuminating and brighter surroundings. With platform work light you can stay on the job longer and continue to work in lower-lit environments.

*Available for: ES, DS*

## GPS CONNECTOR

Predisposition for installing the GPS system (track & trace system). The GPS system itself is not included in the option.

Available for: ES, DS, MJP



# PRODUCTIVITY

## HYDRAULIC GENERATOR

With this option you get power cable to platform. The hydraulically driven generator will produce 5000W power to use power tools, drills, grinders and heavy-duty welders any time at any place.

Available for: DS223RTP

## PIPE SUPPORT

It provides a safe way to lift pipes while working at height. Manufactured from robust material, it is very easy to install on the unit.

Available for: ES0812AC

# SAFETY

## ANTI-COLLISION SWITCH

Specially designed system to improve safety for the operator. Four anti-collision and ultrasonic switches detect any obstacle above platform and immediately stop machine function protecting the operator from crush.

Available for: ES, DS, MJP

## ANTI-CRUSH SWITCH

Special anti-crushing cable sensor that allows the operator to experience advanced protection while using the control panel. This system immediately stops all functions if the sensor detects any force on the line. Also, it provides better visibility on control panel and does not affect platform size and usability. It has been designed to be without any breakpoints so there's no need to replace any parts.

Available for: MJP





# TECHNICAL DATA



# ELECTRIC AND MANUAL SCISSOR LIFTS

## TECHNICAL DATA

	ES0607M	ES0607EP	ES0608EP	ES0708EP	ES0807AC	ES0808AC	ES0812AC	ES1008AC
Load capacity	240 kg	240 kg	230 kg	230 kg	230 kg	380 kg	540 kg	230 kg
Load capacity when extended	-	100 kg	113 kg	113 kg	113 kg	113 kg	113 kg	113 kg
Max no. Occupants (Indoor/outdoor)	1/0	2/1	1/2	2/0	2/1	2/1	2/2	2/0
Working height	5.9 m	5.6 m	6.3 m	7.6 m	7.8 m	8 m	8 m	10 m
Platform floor level height	3.9 m	3.6 m	4.3 m	5.6 m	5.8 m	6 m	6 m	8 m
Overall length	1.44 m	1.44 m	1.52 m	1.52 m	1.86 m	2.48 m	2.48 m	2.48 m
Overall width	0.76 m	0.76 m	0.81 m	0.81 m	0.76 m	0,83 m	1,15 m	0,83 m
Overall height (rails up)	1.95 m	2.03 m	2.03 m	2.12 m	2.15 m	2,23 m	2,23 m	2,36 m
Transport height (rails down)	1.55 m	1.67 m	1.66 m	1.76 m	1.83 m	1,87 m	1,70 m	2,00 m
Platform dimensions (length/width)	1.29x0.7 m	1.29x0.7 m	1.37x0.7 m	1.37x0.7 m	1.67x0.74 m	2.27x0.81 m	2.27x1.12 m	2.27x0.81 m
Platform extension	-	0.6 m	0.6 m	0.6 m	0.9 m	0.9 m	0.9 m	0.9 m
Ground clearance (stowed)	6 cm	6 cm	6 cm	6 cm	9 cm	10 cm	10 cm	10 cm
Ground clearance (raised)	6 cm	1.5 cm	1.5 cm	1.5 cm	1.6 cm	1.9 cm	1.9 cm	1.9 cm
Wheelbase	1.10 m	1.05 m	1.13 m	1.13 m	1.36 m	1.87 m	1.87 m	1.87 m
Turning radius (inside)	0 cm	40 cm	45 cm	45 cm	0 cm	0 cm	0 cm	0 cm
Turning radius (outside)	-	1.55 m	1.60 m	1.60 m	1.64 m	2.10 m	2.20 m	2.10 m
Driving motors	-	24 V/0.4 kW	24 V/0.5 kW	24 V/0.5 kW	2x24 VAC/0,5 kW	2x24VAC/0,87 kW	2x24VAC/0,87 kW	2x24VAC/0,87 kW
Lifting motors	12 V/0.8 kW	24 V/1.2 kW	24 V/2.2 kW	24 V/2.2 kW	24 VAC/3 kW	24 VAC/3,5 kW	24 VAC/3,5 kW	24 VAC/3,5 kW
Travel speed (stowed)	-	4 km/h	4 km/h	4 km/h	4,5 km/h	5,0 km/h	4 km/h	5,0 km/h
Travel speed (raised)	-	0.5 km/h	0.6 km/h	0.6 km/h	0,6 km/h	0,8 km/h	0,8 km/h	0,8 km/h
Batteries	12 V/85 Ah AGM batteries maintenance free	2x12 V/85 Ah AGM batteries maintenance free	2x12 V/115 Ah AGM batteries maintenance free	2x12 V/115 Ah AGM batteries maintenance free	4x6 V/170 Ah AGM batteries maintenance free	4x6 V/170 Ah AGM batteries maintenance free	4x6 V/225 Ah AGM batteries maintenance free	4x6 V/170 Ah AGM batteries maintenance free
Integrated battery charger	12V/15A	24V/10A	24V/15A	24V/10A	24V/25A	24V/25A	24V/25A	24V/30A
Gradeability	-	25%	25%	25%	25%	25%	25%	25%
Maximum working slope	-	1.5°/3°	1.5°/3°	1.5°/3°	1.5°/3°	2°/3°	1.5°/3°	1.5°/3°
Non-marking tyres	153x80 mm	230x80 mm	230x100 mm	230x100 mm	323x100 mm	381x127 mm	381x127 mm	381x127 mm
Weight (CE)	540 kg	880 kg	1,040 kg	1,260 kg	1,630 kg	2,160 kg	2,035 kg	2,230 kg



**STANDARDS COMPLIANCE:** EN 280, ANSI/SAIA A92.20

	ES1012AC	ES1212AC	ES1412AC	ES1612AC ES1612ACP	ES2212E	ES2814E	ES3214E
Load capacity	450 kg	320 kg	320 kg	250 kg	600 kg	600 kg	600 kg
Load capacity when extended	113 kg	113 kg	113 kg	113 kg	600 kg	600 kg	600 kg
Max no. Occupants (Indoor/outdoor)	2/2	2/1	2/0	2/0	2/2	2/2	2/2
Working height	10 m	12 m	13.8 m	15.7 m	22 m	28 m	32 m
Platform floor level height	8 m	10 m	11.8 m	13.7 m	20 m	26 m	30 m
Overall length	2.48 m	2.48 m	2.48 m	2.84/2.48 m	4.72 m	5.69 m	6.41 m
Overall width	1.15 m	1.15 m	1.19 m	1.25/1.19 m	1.25 m	1.40 m	1.40 m
Overall height (rails up)	2,36 m	2,49 m	2,62 m	2,62/2,75 m	3.82 m	4.16 m	4.16 m
Transport height (rails down)	1,87 m	1,96 m	2,09 m	2,09/2,22 m	2.99 m	3.17 m	3.17 m
Platform dimensions (length/width)	2.27x1.12 m	2.27x1.12 m	2.27x1.12 m	2.64x1.12m 2.27x1.12 m	4.30x1.19m	5.08x1.2 m	5.85x1.2 m
Platform extension	0.9 m	0.9 m	0.9 m	0.9 m	1.8 m	1.9 m	1.9 m
Ground clearance (stowed)	10 cm	10 cm	10 cm	10 cm	20 cm	20 cm	20 cm
Ground clearance (raised)	1.9 cm	1.9 cm	1.9 cm	1.9 cm	2.5 cm	2.0 cm	2.0 cm
Wheelbase	1.87 m	1.87 m	1.87 m	2.22/1.87 m	3.18 m	4.14 m	4.87 m
Turning radius (inside)	0 cm	0 cm	0 cm	0 cm	0.5 m	2.5 m	2.6 m
Turning radius (outside)	2.20 m	2.20 m	2.20 m	2.65/2.20 m	2.5 m	3.3 m	3.5 m
Driving motors	2x24VAC/0,87 kW	2x24VAC/0,87 kW	2x24VAC/0,87 kW	2x24VAC/0,87 kW	4*AC 32V/3.3kW	4*80V/2kW	4*80V/2kW
Lifting motors	24 VAC/3,5 kW	24 VAC/3,5 kW	24 VAC/3,5 kW	24 VAC/3,5 kW	2*AC 48V/8.0kW	80V/28kW	80V/28kW
Travel speed (stowed)	5,0 km/h	5,0 km/h	5,0 km/h	5,0 km/h	3 km/h	1.6 km/h	1.5 km/h
Travel speed (raised)	0.8 km/h	0.8 km/h	0.8 km/h	0.8 km/h	0.5 km/h	0.85 km/h	0.75 km/h
Batteries	4x6 V/170 Ah AGM batteries maintenance free	4x6 V/220 Ah AGM batteries maintenance free	4x6 V/220 Ah AGM batteries maintenance free	4x6 V/220 Ah AGM batteries maintenance free	48V/630Ah Lead-acid batteries	80V/520Ah Lithium Battery	80V/520Ah Lithium Battery
Integrated battery charger	24V/30A	24V/30A	24V/30A	24V/30A	48V/60A	80V/80A	80V/80A
Gradeability	25%	25%	25%	25%	25%	25%	25%
Maximum working slope	1,5°/3°	1,5°/3°	1,5°/3°	1,5°/3°	1°/0°	0°/1°	0°/1°
Non-marking tyres	381x127 mm	381x127 mm	381x127 mm	381x127 mm	28x10x22	28X12X22	28X12X22
Weight (CE)	2,710 kg	3,060 kg	2,880 kg	3,360/3,220 kg	12,350 kg	18,260 kg	22,200 kg

# ROUGH TERRAIN SCISSOR LIFTS

## TECHNICAL DATA

\* without outriggers

	DS1218RT	ES1218RT	ES1218RTW *	DS1418RT	ES1418RT	ES1418RTW *
Load capacity	454 kg	454 kg	454 kg	363 kg	363 kg	363 kg
Load capacity on extended platform	136 kg	136 kg	136 kg	136 kg	136 kg	136 kg
Max no. occupants	4	4	4	3	3	3
Working height	12 m	12 m	12 m	14.3 m	14.3 m	14.3 m
Platform floor height	10 m	10 m	10 m	12.3 m	12.3 m	12.3 m
Overall length (with outriggers)	3.84 m	3.84 m	3.84 m	3.84 m	3.84 m	3.84 m
Overall width	1.76 m	1.76 m	1.76 m	1.76 m	1.76 m	1.76 m
Overall height (rails up)	2.59 m	2.59 m	2.59 m	2.74 m	2.74 m	2.74 m
Transport height (rails down)	1.82 m	1.82 m	1.82 m	1.97 m	1.97 m	1.97 m
Platform size (length/width)	2.88x1.52 m	2.88x1.52 m	2.88x1.52 m	2.88x1.52 m	2.88x1.52 m	2.88x1.52 m
Platform extension size	1.43 m	1.43 m	1.43 m	1.43 m	1.43 m	1.43 m
Ground clearance	24 cm	24 cm	24 cm	24 cm	24 cm	24 cm
Wheelbase	2.29 m	2.29 m	2.29 m	2.29 m	2.29 m	2.29 m
Turning radius (inside/outside)	2.15 m / 4.85 m	2.15 m / 4.85 m	2.15 m / 4.85 m	2.15 m / 4.85 m	2.15 m / 4.85 m	2.15 m / 4.85 m
Engine	Kubota D1105- EF02 Stage IV - 18.2 kW 3.000 rpm	-	-	Kubota D1105- EF02 Stage IV - 18.2 kW 3.000 rpm	-	-
Drive motor	-	2x32 VAC / 3.3 kW	2x32 VAC / 3.3 kW	-	2x32 VAC / 3.3 kW	2x32 VAC / 3.3 kW
Lifting motor	-	48 V / 3.8kW	48 V / 3.8 kW	-	48 V / 3.8 kW	48 V / 3.8 kW
Travel speed (stowed)	5.2 km/h	6 km/h	6 km/h	5.2 km/h	6 km/h	6 km/h
Travel speed (raised)	0.48 km/h	0.48 km/h	0.48 km/h	0.48 km/h	0.48 km/h	0.48 km/h
Gradeability	40%	40%	40%	40%	40%	40%
Maximum working slope	1.5°/3°	1.5°/3°	1.5°/3°	1.5°/3°	1.5°/3°	1.5°/3°
Batteries	12 V / 110 Ah	8x6 V / 320 Ah	8x6 V / 320 Ah	12 V / 110 Ah	8x6 V / 320 Ah	8x6 V / 320 Ah
Integrated charger	-	48 V / 25 A	48 V / 25 A	-	48 V / 25 A	48 V / 25 A
Hydraulic tank	71 l	71 l	71 l	71 l	71 l	71 l
Diesel tank	47 l	-	-	47 l	-	-
Tyres	26x12-16.5	26x12-16.5	26x12-16.5	26x12-16.5	26x12-16.5	26x12-16.5
Weight (with outriggers)	4,300 kg	4,400 kg	4,400 kg	5,050 kg	5,150 kg	5,150 kg



**STANDARDS COMPLIANCE:** EN 280, ANSI/SAIA A92.20

	<b>DS1523RT</b> Superdeck	<b>ES1523RTP</b> Superdeck	<b>DS1823RT</b> Superdeck	<b>ES1823RTP</b> Superdeck	<b>DS2223RTP</b>	<b>ES2223RTP</b>
Load capacity	680 kg	680 kg	680 kg	680 kg	750 kg	750 kg
Load capacity on extended platform	227 kg	227 kg	227 kg	227 kg	750 kg	750 kg
Max no. occupants	7	7	6	4	4	4
Working height	15 m	15 m	18 m	18 m	22 m	22 m
Platform floor height	13 m	13 m	16 m	16 m	20 m	20 m
Overall length (with outriggers)	4.88 m	4.88 m	4.88 m	4.88 m	4.95 m	4.95 m
Overall width	2.27 m	2.29 m	2.27 m	2.29 m	2.46 m	2.46 m
Overall height (rails up)	2.98 m	2.98 m	3.19 m	3.19 m	3.86 m	3.86 m
Transport height (rails down)	2.28 m	2.28 m	2.49 m	2.49 m	3.00 m	3.00 m
Platform size (length/width)	3.35x1.83 m	3,35x1.83 m	3.35x1.83 m	3.35x1.83 m	4.95m x 2.25m	4.95m x 2.25m
Platform extension size	2.10 m / 1.85 m	2.10 m / 1.85 m	2.10 m / 1.85 m	2.10 m / 1.85 m	2.7 m	2.7 m
Ground clearance	22 cm	30 cm	22 cm	30 cm	40 cm	40 cm
Wheelbase	2.86 m	2.86 m	2.86 m	2.86 m	3.3 m	3.3 m
Turning radius (inside/outside)	2.35 m / 5.2 m	2.35 m / 5.2 m	2.35 m / 5.2 m	2.35 m / 5.2 m	1.25 m / 3.4 m	1.25 m / 3.4 m
Engine	Kubota V2403-CR-EWO2 Stage V - 36.8 kW 2700 rpm	-	Kubota V2403-CR-EWO2 Stage V - 36.8 kW 2700 rpm	-	Deutz D2.9 L4 Stage V - 36.4 kW 2600 rpm	-
Drive motor	-	4x32 V / 3.3 kW	-	4x32 V / 3.3 kW	-	4AC 32V / 3.3 kW
Lifting motor	-	2x48 V / 8.0 kW	-	2x48 V / 8.0 kW	-	2AC 48V / 8.0 kW
Travel speed (stowed)	6.1 km/h	5.0 km/h	6.1 km/h	5.0 km/h	5 km/h	5 km/h
Travel speed (raised)	1.1 km/h	1.0 km/h	1.1 km/h	1.0 km/h	0.4 km/h	0.4 km/h
Gradeability	50%	50%	40%	40%	40%	30%
Maximum working slope	2°/3°	2°/3°	2°/3°	2°/3°	2°/3°	2°/3°
Batteries	12 V / 110 Ah	2x48 V/450 Ah	12 V / 110 Ah	2x48 V/450 Ah	12 V / 110 Ah	48 V / 630 Ah
Integrated charger	-	48 V / 60 A	-	48 V / 60 A	-	-
Hydraulic tank	130 l	130 l	130 l	130 l	150 l	150 l
Diesel tank	100 l	-	100 l	-	100 l	-
Tyres	33x12-20	33x12-20	33x12-20	33x12-20	355/55 D625	36x14-20
Weight (with outriggers)	8,200 kg	8,200 kg	9,190 kg	8,900 kg	13,000 kg	13,400 kg

# ROUGH TERRAIN SCISSOR LIFTS

## TECHNICAL DATA

STANDARDS COMPLIANCE: EN 280, ANSI/SAIA A92.20

	DS2825RT	ES2825RT	DS3225RT	ES3225RT
Load capacity	1,000kg	1,000kg	1,000kg	1,000kg
Load capacity on extended platform	1,000kg	1,000kg	1,000kg	1,000kg
Max no. occupants	4	4	4	4
Working height	28 m	28 m	32 m	32 m
Platform floor height	26 m	26 m	30 m	30 m
Overall length (with outriggers)	5.96 m	5.96 m	6.73 m	6.73 m
Overall width	2.50 m	2.50 m	2.55 m	2.55 m
Overall height (rails up)	4.13 m	4.13 m	4.13 m	4.13 m
Transport height (rails down)	3.19 m	3.19 m	3.19 m	3.19 m
Platform size (length/width)	5.48x2.45 m	5.48x2.45 m	6.20x2.45 m	6.20x2.45 m
Platform extension size	2.1 m	2.1 m	2.1 m	2.1 m
Ground clearance	23 cm	23 cm	20 cm	20 cm
Wheelbase	4.10 m	4.10 m	4.86 m	4.86 m
Turning radius (inside/outside)	3.5/6 m	3.5/6 m	3.8/6.3 m	3.8/6.3 m
Engine	Deutz TD2.9 L4 55kW/2600 rpm	/	DeutzTD2.9 L4 55kW/2600 rpm	/
Drive motor	/	4x48V/2.0KW	/	4x48V/2.4KW
Lifting motor	/	53V/28KW	/	53V/28KW
Travel speed (stowed)	4.0 km/h	3.5 km/h	4.0 km/h	3.5 km/h
Travel speed (raised)	0.4 km/h	0.4 km/h	0.4 km/h	0.4 km/h
Gradeability	40%	30%	40%	30%
Maximum working slope	2°/3°	2°/3°	2°/3°	2°/3°
Batteries	/	80V520Ah	/	80V520Ah
Integrated charger	/	80V/80A	/	80V/80A
Hydraulic tank	130 l	/	130 l	/
Diesel tank	260 l	260 l	260 l	260 l
Tyres	355/55D625	355/55D625	15-625	15-625
Weight (with outriggers)	19,200kg	19,700kg	23,400kg	23,900kg

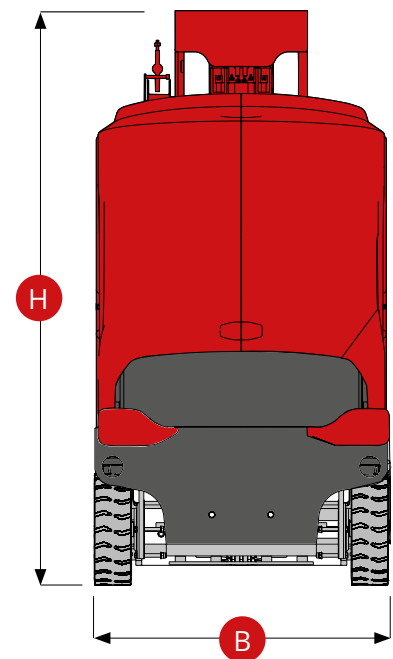
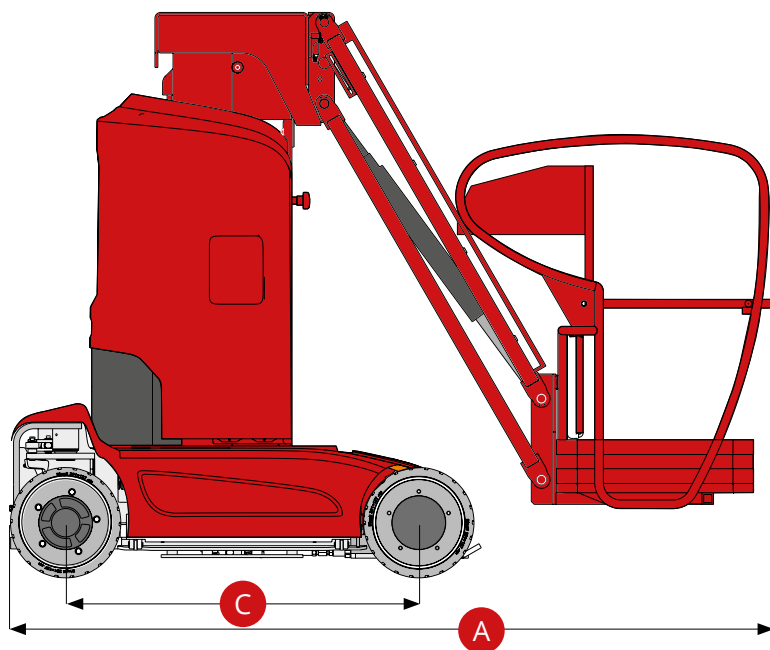
# VERTICAL MAST LIFT

## TECHNICAL DATA

STANDARDS COMPLIANCE: EN 280, ANSI/SAIA A92.20

### MJP11.5

Load capacity	200 kg	Turret rotation	345°
Max no. occupants	2	Jib movement	+70°/-60°
Working height	11.2 m	Drive motor	24 V / 1.5 kW
Max platform height	9.2 m	Lifting motor	24 V / 3 kW
Max horizontal outreach	3 m	Travel speed (stowed)	4.5 km/h
Up and over height	7.89 m	Travel speed (rated)	0.5 km/h
<b>A</b> Overall length	2.72 m	Up\Down Speed	95 / 50 sec
<b>B</b> Overall width	1 m	Batteries	24 V / 240 Ah
<b>H</b> Overall height	1.99 m	Integrated charger	24 V / 30 A
Platform size (length/width)	0.62 m x 0.87 m	Gradeability	25%
Ground clearance (stowed)	0.06 m	Maximum working slope (indoor use)	2.5°
Ground clearance (raised)	0.019 m	Tyres	381x127 mm
<b>C</b> Wheelbase	1.22 m	Weight	2,950 kg
Turning radius (inside/outside)	0.23 / 1.65 m		





The data in this brochure are provided for the purposes of information and subject to change without notice.





[www.magnith.com](http://www.magnith.com)