



**Quality, craftsmanship and innovation.
The secret lies in precision. Having clear ideas is vital:
we need to know where we want to go and what we want to create.
And at Magni, we throw our all into accomplishing it.**

Riccardo Magni – President

Magni Telescopic Handlers was founded in 2013. Thus, began the development of the widest range of rotating telescopic handlers on the market; from rotating telescopic handlers to fixed, heavy-duty models and construction fixed boom telehandlers. Italy was no longer enough and so six further branches have been set up: Magni TH France, Magni UK, Magni America, Magni Deutschland, Magni SA and Magni Asia Pacific. To offer our clients the best technical and commercial service around, we have created a network of over 300 dealers, a number that is constantly increasing. And that is just the beginning of our story.

BOOM LIFTS

Get the reach and reliable performance you need to get the job done from the Magni range of articulated and telescopic boom lifts. Electric or engine powered - there's a Magni model for every market need.

PAGE INDEX

ARTICULATED BOOM LIFTS	5
TELESCOPIC BOOM LIFTS	23
AVAILABLE OPTIONS	43
LOAD CHARTS	47
TECHNICAL DATA	53

ARTICULATED BOOM LIFTS



Magni range of articulated booms provides ultimate versatility with up, out and over positioning capabilities for hard-to-access work areas. These units are engineered to enhance working efficiency and offer greater horizontal outreach than any other type of aerial platform. They also offer high ground clearance, four-wheel drive and rough terrain features for easy travel over irregular ground. Articulated booms are ideal for outdoor construction and industrial applications.

ARTICULATED BOOM LIFTS



FOUR WHEEL DRIVE & STEERING

Four-wheel steer system allows you to have four steering modes, which improves productivity and manoeuvrability on any worksite. Rough terrain can be easily handled thanks to the powerful four-wheel drive.



BASKET ROTATION

All articulated platforms ensure a 180° (+/-90°) basket rotation, which guarantees maximum flexibility. This feature allows you to reach any spot and to adapt to every kind of job, no matter its nature.

DIESEL POWERED

These models are designed to stand up to the demands of use in diverse conditions. Height from 24 m to 28 m



DAB24RT



DAB28RT

**COMFORT ON THE BASKET /
EVERYTHING IS
UNDER CONTROL**



TURRET ROTATION

All models of the range ensure a 360° continuous turret rotation for unmatched positioning capabilities. This feature will help you during your daily tasks, and enable you to the maximum flexibility for each working task. With the turret movement alone, you will be able to reach different spots without the need to re-position the machine.



INDOORS OUTDOORS

The self-propelled articulated boom lifts are the perfect solution for all your needs, outdoors or indoors (just electric models). The strict safety standards and the off-road performances are crucial while working outdoors on uneven ground.

ELECTRIC POWERED

Full electric models are the response to the need of having emission free machines to easily work indoors. Height from 20 m to 28 m



BA20ERT

BA22ERT

EAB24RT

EAB28RT

**/ EXTRA REACH AND
IMPROVED PERFORMANCE
/ GREATER ACCESS**

#LIFT DIFFE RENT

At Magni, *#liftdifferent* means searching new engineering solutions to take the lifting job to an entirely new, safer level.

All Magni products, either diesel or electric boom lifts, are reliable, multi-function and represent the best choice to lift differently.

Main Applications



Construction
Façade work
Cladding
Installation



Large events,
Concert, Festival



**Aircraft maintenance,
Ship repair**



Plant Service
Electrical works, Plumbing,
Lights installation



Oil & gas
Petro chemical
Offshore



Restoration,
Sandblasting,
Painting





GO ANYWHERE

Get the job done faster and more efficiently with a powerful combination of speed and gradeability. The drive traction system and the active oscillating front axle work in synergy, allowing the machine to move without losing traction on uneven terrain. The differential locking allows for outstanding traction performance and the low center of gravity ensures optimum overall stability.



How to read the names

All the names are composed of letters associated with features of our machines. For example:

DAB 18 RT
EAB 24 RT

refer to the scheme on the right.

D	E	diesel / electric	- engine type
A	A	articulated	- machine type
B	B	boom	- machine type
18	24	meters	- max. height
R	R	rough	- special feature
T	T	terrain	- special feature

GO FURTHER WITH A WIDER RANGE OF SOLUTIONS

Gradeability

Four-wheel steering comes standard on the whole range. All the models can perform four types of steering: front wheel, rear wheel, crab and coordinated. Moreover, the 45%* gradeability ensures unparalleled off-road performances. Achieve **maximum manoeuvrability** to tackle your jobs



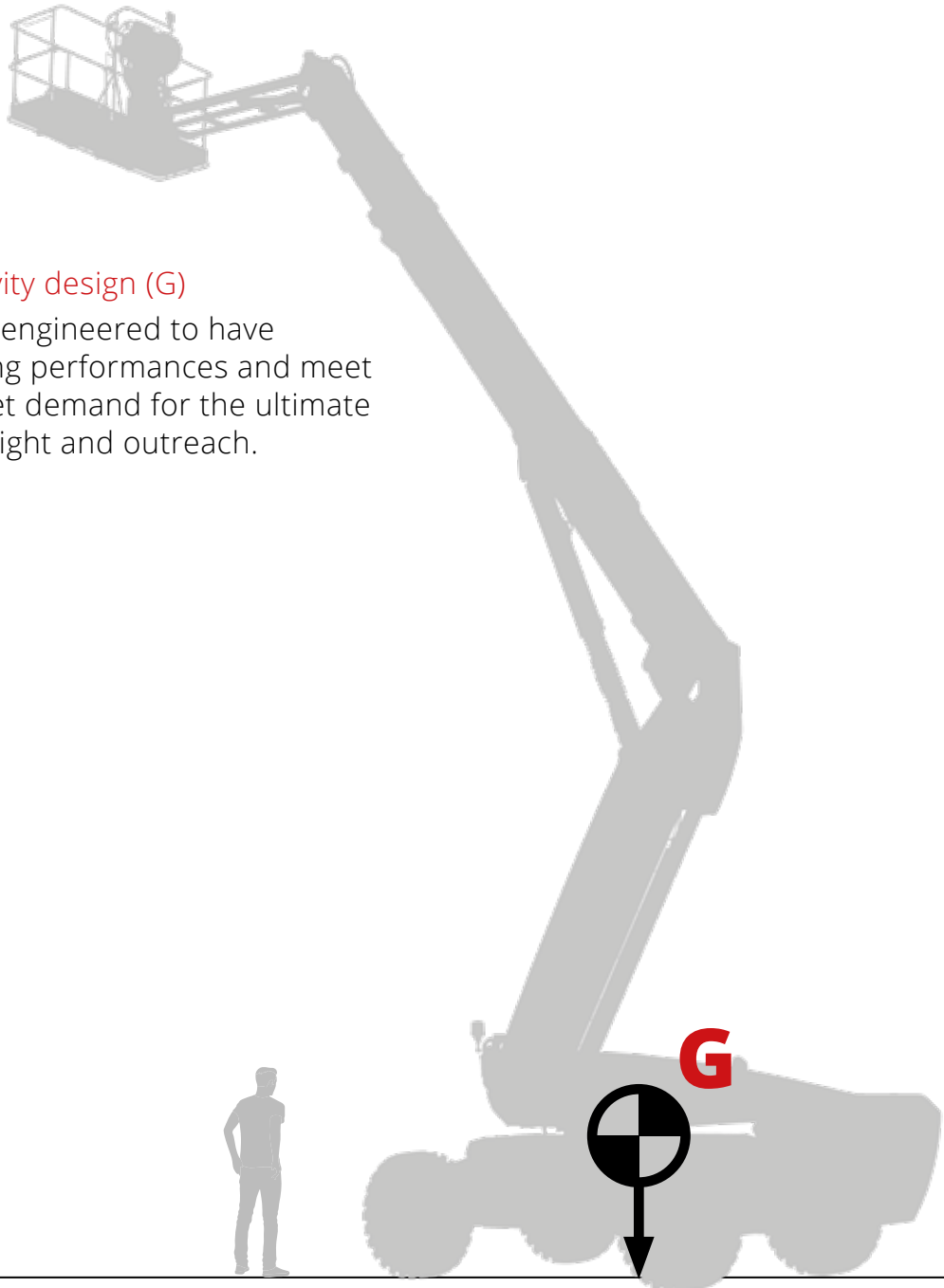
ROUGH TERRAIN CHAMPIONS

The whole range is equipped with tyres with 42,5" (108 cm) of diameter. All tyres are rough terrain. Thanks to the large footprint, they guarantee maximum control on bumpy ground. The high ground clearance is an additional advantage when working on uneven terrain, offering optimal terrainability than traditional boom lifts.

FOAM FILLED TYRES

Foam filled tyres come standard on all articulated boom models. They will keep your platform up and running in the most abrasive and aggressive working environment, avoiding punctures from debris or sharp objects.





Low center of gravity design (G)

The new design is engineered to have incomparable lifting performances and meet the growing market demand for the ultimate combination of height and outreach.

MORE STABILITY

The main advantage of a low centre of gravity is improved stability capacity, and ultimately the safety of the machine when working, at any height. This feature allows optimized performances in terms of lifting height and maximum reach.

OPTIMIZED HEIGHT

Thanks to the new low centre of gravity design, the maximum working height is now optimized to its maximum reach. The articulated boom lift complete range features a maximum lifting height from 16 m to 28 m.

MORE REACH

The forward reach has been maximised to its maximum potential, thanks to the low center of gravity. This becomes crucial when you have to reach the farthest spots of your worksite. This is Magni's response to the market needs for outstanding reach performance.

EASIER ACCESS TO COMPONENTS

Together with the smart control system, this design guarantees also better maintenance of the engine compartment and other components. Furthermore, it facilitates the ordinary services and repair operations.

RAISING QUALITY STANDARDS



FLASHING BEACON

Orange flashing light warns workers when the platform is moving or is in operation.

FUEL/CHARGE INDICATOR

A level indicator, situated on the ground control panel, provides complete information about fuel reserve or battery charge. On the basket control panel, you have a further indicator when the power/fuel reserve is low.

HOUR COUNTER

Constantly monitor the life status of your machine. Thanks to the hour counter, which displays the real working hours, you can easily plan routine maintenance and intervention on the platform.

POWER TO THE PLATFORM

Thanks to the power plug, you can now plug in your drill or saw in the platform. Especially for electrical contractor applications that require electrical tools, this option keeps your instruments within reach. There are no electric lines hanging out from the platform.



SAFE TO USE IN WINDS UP TO 12,5 M/S

These platforms are designed to work in winds up to 12,5 m/s.

ENGINE COMPARTMENT SAFETY

For your safety, the engine cannot be started if the engine compartment is opened.

EMERGENCY WARNING ALARMS

When a potential danger situation takes place or the machine detects an overload, an acoustic alarm advises people nearby.

MOTION ACOUSTIC ALARMS

An acoustic alarm advises all the people in the area that the platform is moving.

EMERGENCY STOP BUTTON IN THE BASKET AND ON THE CHASSIS

Both the ground control panel and the control panel in the basket have an emergency stop button. The button will interrupt any movement in case of emergency, giving the possibility to return to a safe working position.

ELECTRICAL CIRCUIT AND EMERGENCY PUMP

Both the electrical circuit and the emergency pump work with 12V battery.

OVERLOAD SENSOR

The platform has been equipped with an overload sensor in order to prevent any movement if excessive weight is detected on the basket.

ROTATION LOCKING SYSTEM

To ensure maximum safety while on tyres or when being transported, all machines are equipped with the mechanical turret rotation locking system.

FOCUS ON BASKET SAFETY

EASY ACCESS TO BASKET

The basket is equipped with two sliding bar entrances, one on the front and the other on the side. They are both designed to easily ensure the entry and exit, even while wearing safety equipment (e.g. helmet, reflective jacket...) or tools belt.

BASKET CONTROL PANEL PROTECTION

To protect the basket control panel from any debris or external agent damage, we installed plexiglass protection on the top of the command dashboard.

RUBBER PROTECTION

At the bottom of each basket, we mounted anti-collision rubber protection. Your basket will always be protected when the boom reaches the lowered position.

SAFETY SWITCHES

The unit is equipped with a safety switch on the joystick and a deadman switch pedal. As a safety measure the unit cannot move unless both the pedal and the switch on the joystick are activated at the same time.

ANTI-CRUSH DEVICE

The anti-crush device act as a safety lifeline. It senses the pressure, and in case of emergency, the system instantly stops all the operations. The problem is signalled with an **acoustic alarm** and an **orange warning light**. If the operator cannot move the machine away from danger, a person on the ground can use the turret-mounted base controls to lower the basket out of harm's way.

ANCHOR POINT FOR HARNESS

All baskets have 4 anchor points. Each one must be used by one person at a time only.

PLATFORM LEVELLING INDICATOR

To help position the basket parallel to the ground, a levelling indicator is installed on each boom.



DIESEL POWERED: POWERFUL PERFORMANCE



POWERFUL BUT GREEN

Magni has decided to mount Stage V engines on the whole diesel product range. This results in a significant reduction in fuel consumption, estimated between 10 and 15%. Thus, a lower environmental impact solution, in line with the latest European regulations, will be provided to the market.

LIMITED-SLIP DIFFERENTIAL

The front axle is equipped with the limited-slip differential. This feature provides sufficient torque to each of the two wheels, on that axle. Therefore it will provide a significant traction advantage on slippery ground, boosting rough terrain performances. In combination with the Bosch Rexroth powerful transmission, they become the perfect partner in every worksite, always providing the best solution.

OSCILLATING AXLES

Equipped with Dana axles, these platforms are robust, secure and therefore perfect for any irregular terrain. The oscillating axle, standard on all models, follows the terrain irregularities ensuring optimal adherence to the ground. The four-wheel drive and four-wheel steer let you drive efficiently in any worksite on uneven surfaces.





BASKET CONTROL PANEL

Equipped with a full metal cover and plexiglass protection, the basket control panel can control all the functions of the machine:

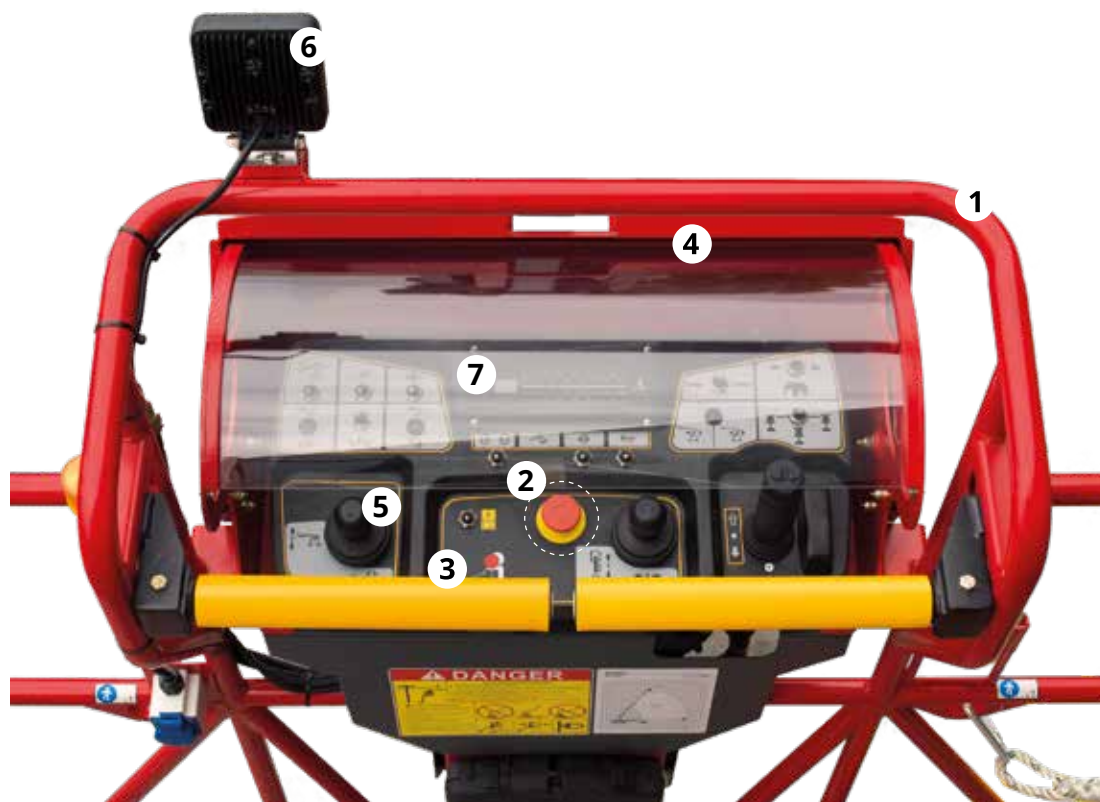
- Transmission
- Speed
- Boom lift and lowering
- Basket controls and rotation

The basket control panel is equipped with indicators lights. Thus, in case of emergency it is easier to detect problems.

-
- | | |
|---------------------------|--|
| ① Metallic protection bar | ④ Cover in metal and plexiglass protective shield for the basket control panel |
| ② Emergency stop button | ⑤ Proportional drive control with safety trigger & thumb steer |
| ③ Anti-crush device | |
-



-
- | |
|--------------|
| ⑥ Light |
| ⑦ Indicators |
-



DIESEL POWERED: EASY TRANSPORT & MAINTENANCE



ERGONOMIC GROUND CONTROL PANEL

Customers prefer controls with fewer buttons and switches to move the unit into position. Moreover, this makes the learning process easy and intuitive. The **patented tilting control panel** is located at ergonomic height to facilitate the ground operations and move the unit into trucks in complete safety.

EASY MAINTENANCE

Every machine features excellent access to service points as they are located in the lower part of the chassis. Having all components within reach allows to speed and facilitate maintenance. The integrated diagnostic with CAN-BUS technology is an additional solution to speed-up fault recognition and service the machine better.

CAN BUS TECHNOLOGY

The articulated boom lift range is equipped with a CAN BUS system, which handles all data relating to the electronic components. All information regarding the engine, transmission, hydraulic system and load moment indicator is collected on the display. CAN BUS technology requires about a third less wiring, which reduces the risk of electrical circuit faults and increase overall reliability of the machine.

SMART & INTUITIVE CONTROL PANEL

All data are collected in the ground control panel, which displays:

- machine parameters (working height, reach, angles...)
- diagnostic & alarms details
- oil pressure & temperature
- engine data & working hours
- fuel level



ANCHORING EYEBOLTS

To secure your machine during transport, you can use anchoring points, on the front and on the back of the chassis.



Reduced operating costs:

without compromising the quality standard, we have designed the machine so that it has **90% of main components and 95% of structural parts in common through all range models.** This means you can easily stock less parts, **saving time and money.**

FLEXIBLE POSITIONING

Having a machine that can easily reach any point is vital. Thanks to the quick boom system, you can rapidly raise and lower the boom achieving the best position. Moreover, the 360° continuous turret rotation guarantees an easy and flexible positioning even when the platform is raised. To further facilitate the work, the basket is equipped with a full 180° hydraulic rotation, and it remains in position throughout the entire range of motion.

EASY TRANSPORTATION

These platforms can be transported to any jobsite really easily. When the boom is fully retracted and lowered, the so called Stowed Position, its dimensions will be just perfect to fit into any basic flatbed truck. Thanks to their compact dimensions, these platforms can also be shipped in **regular containers (40HQ).**



ELECTRIC POWERED: GREEN AND COMFORTABLE

High capacity batteries come standard on the whole range. The large potential of the batteries ensures **great endurance ability and stable performances during the entire working session.**



Longlasting Battery

Battery capacity is optimal for an efficient.

Great Endurance Ability

The power is perfectly calibrated to ensure maximum efficiency in any operation.

More Environmentally Friendly

The emission-free articulated boom lift is the best option for environmental preservation.



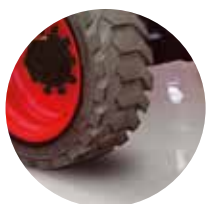
CLEAN AND GREEN

Mindsets in terms of energy are changing rapidly and the environment crisis is at the center of today's political debate. Regulations regarding CO₂ emissions and noise are becoming much stricter and soon many cities will no longer allow the use of diesel engines in worksites. **The electric power system is the solution allowing to eliminate emissions.**

As a consequence, today, more and more people are demanding environmentally friendly equipment. The range of electric boom lifts features longer run time, and higher productivity. That is the perfect green combination. These machines are specifically designed to have fewer scheduled services, a quieter work area and **zero emissions.**

CLEAN & VERSATILE SOLUTIONS

The electric articulated boom lift range is composed of **4 models**, among which you can find the solution that best suits your working needs. Whether your job includes industrial applications, maintenance, construction or anything in between, this range eliminates emissions and reduces noise levels. This range of articulated electric boom lifts, **drives through standard doorways, around obstacles and access overhead work from aisles even in areas where space is limited.** Versatile and simple to operate, this boom lift is ideal for multiple indoor jobs on sensitive grass or paved surfaces and floorings such as airports, shopping malls, theatres, stadiums, etc.



Non-marking tyres
Standard on all electric
models.

ELECTRIC POWERED: EASY TO USE & SERVICE



ERGONOMIC CONTROL PANEL

This electric range features an adjustable control panel to facilitate ground operations, during any loading/unloading procedure. The patented tilting control panel is located in the chassis and is at easy reach. As it has fewer buttons and switches, it is user extremely friendly. Learning how to use the platform controls is extremely intuitive.

From here it is possible to start the engine and perform all the turret and basket controls:

- **Turret rotation**
- **Boom extension and retraction**
- **Articulation joint movements**
- **Basket rotation and levelling**



EASY SERVICE & MAINTENANCE

On-board diagnostics help operator troubleshoot faults on the fly and perform maintenance operations directly on the field to maximise uptime. Swing-out battery cover allow easy access to components to facilitate maintenance.

INTUITIVE BASKET CONTROL PANEL

Provided with a full metal cover and plexiglass protection, the basket control panel can perform all the functions of the machine: transmission, boom lift and lowering. The basket controls and rotation joystick are proportional and move almost flawlessly. The dashboard is intuitive and easy to use, even for the less expert operators. The metal cover allows for full protection when not operating and the metallic bar ensures hands protection.

- ① Metallic protection bar
- ② Closure in metal and plexiglass protective shield for the basket control panel
- ③ Emergency stop button
- ④ Ergonomic proportional controls
- ⑤ Anti-crush device



TELESCOPIC BOOM LIFTS

Magni telescopic boom lifts are engineered to work in multiple applications that require higher capacities, becoming the perfect solution for heavy lifting in the construction and maintenance of building, gas and oil refineries, industrial applications.

TELESCOPIC BOOM LIFTS



FOUR WHEEL DRIVE & STEERING

Four-wheel steer system allows you to have four steering modes, which improves productivity and manoeuvrability on any worksite. Rough terrain can be easily handled thanks to the powerful four-wheel drive.



BASKET ROTATION

All telescopic platforms ensure a 180° (+/-90°) basket rotation, which guarantees maximum flexibility. This feature allows you to reach any spot and to adapt to every kind of job, no matter its nature.

DIESEL POWERED

These models are designed to stand up to the demands of use in diverse conditions.
Height from 24 m to 30 m



DTB24RT



DTBJ26RT



DTB26RT

**DESIGNED TO MEET WORKSITE
NEEDS / PERFORMANCE & POWER /**



TURRET ROTATION

All models of the range ensure a 360° continuous turret rotation for unmatched positioning capabilities. This feature will help you during your daily tasks, and enable you to the maximum flexibility while in operation. With the turret movement alone, you will be able to reach different spots without the need to re-position the machine.



INDOORS OUTDOORS

The self-propelled telescopic boom lifts will answer all your needs, outdoors or indoors (just electric models). The strict safety standards and the off-road performances are crucial while working outdoors on uneven ground.



DTB28RT

DTBJ30RT



ETB24RT

**EFFICIENT / SPEED AND TRACTION
/ OUTDOOR FUNCTIONALITY**

Main Applications



Construction
Facade work
Cladding
Installation



Large events,
Concert, Festival



**Aircraft
maintenance,
Ship repair**



Plant Service
Electrical works, Plumbing,
Lights installation



Oil & gas
Petro chemical
Offshore



Restoration,
Sandblasting,
Painting

ELECTRIC POWERED

Full electric models are the response to the need of having emission free machines to easily work indoors. Height from 24 m to 30 m



ETB26RT

ETBJ26RT

ETB28RT

ETBJ30RT

**/ ENVIRONMENTALLY
FRIENDLY / BUILT TO LAST**



How to read the names

All the names are composed with words, that describe the machine.
For example:

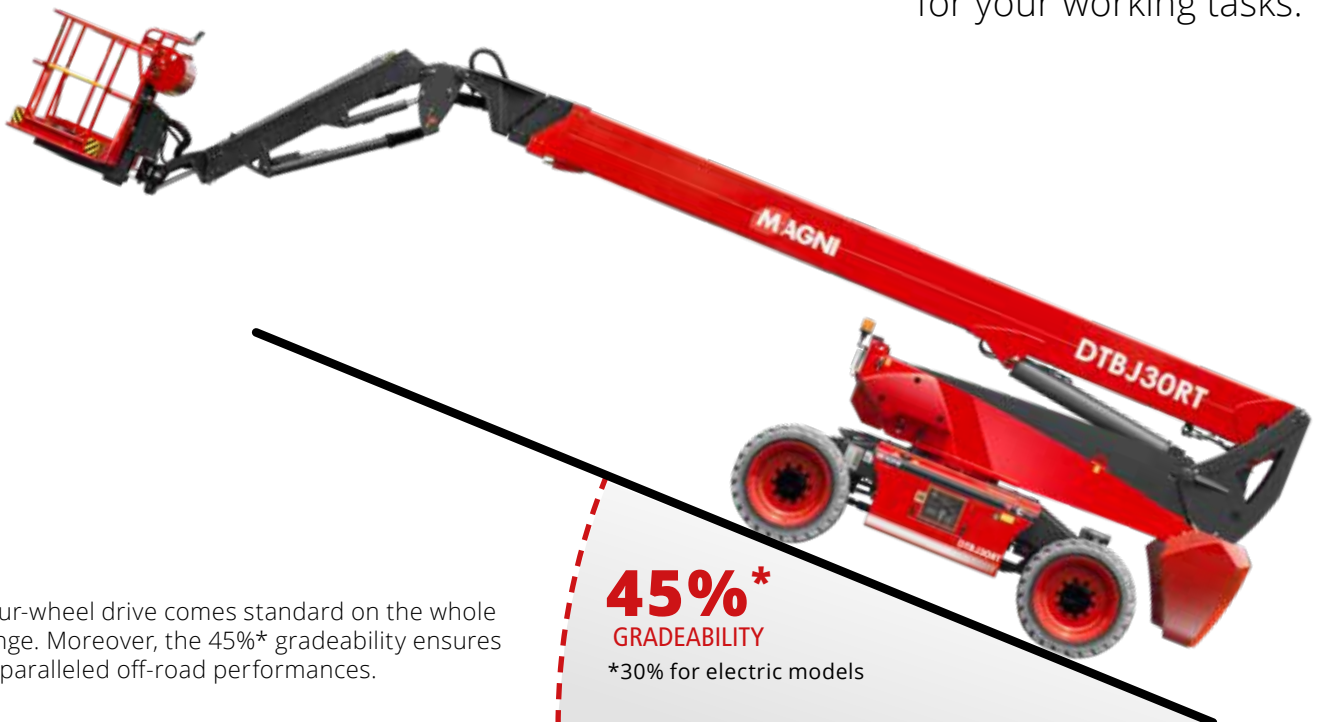
DTBJ 26 R T
ETBJ 26 R T

is composed the scheme here on the right.

D	E	diesel / electric	- engine type
T	T	telescopic	- machine type
B	B	boom	- machine type
J	J	telescopic jib	- special feature
26	26	meters	- max. height
R	R	rough	- special feature
T	T	terrain	- special feature

UNMATCHED PERFORMANCES

Optimal gradeability for unparalleled off-road performances. Achieve maximum manoeuvrability for your working tasks.



Four-wheel drive comes standard on the whole range. Moreover, the 45%* gradeability ensures unparalleled off-road performances.

45%*
GRADEABILITY

*30% for electric models

OUTSTANDING TERRAINABILITY

Thought to work in outdoor context on uneven ground conditions, these platforms feature powerful transmission with improved traction that preserves the performances over mud and uneven terrain.

Four-wheel drive comes standard on the whole range. All the models can perform four types of steering: front wheel, rear wheel, crab and coordinated, to meet the demands of rugged outdoor use. They also feature rough-terrain foam filled tyres for excellent terrainability.





360°
CONTINUOUS
ROTATION

Great for tight spaces

The 360° continuous turret rotation enables quick and flexible positioning. Minimal tailswing allows you to work in tight work spaces.

The fixed width axles eliminate the need for additional set up by an operator after unloading from a transport trailer.

OSCILLATING AXLES

Equipped with Dana axles, these platforms are robust, secure and therefore perfect for any irregular terrain. The oscillating axle, standard on all models, follows the terrain irregularities ensuring optimal adherence to the ground. The four-wheel drive and four-wheel steer allow you to drive efficiently in any worksite on uneven surfaces.

LIMITED-SLIP DIFFERENTIAL

The front axle is equipped with the limited-slip differential. This feature provides sufficient torque to each of the two wheels, on that axle. Therefore it will provide a significant traction advantage on slippery ground, boosting rough terrain performances. In combination with the Bosch Rexroth powerful transmission, they become the perfect partner in every worksite, always providing the best solution.



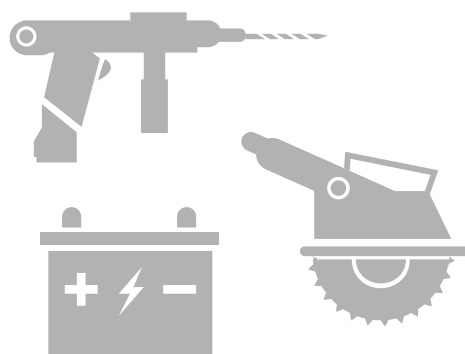
GREATER PRODUCTIVITY FROM THE GROUND UP

POWER TO THE PLATFORM

Thanks to the power plug, you can now plug in your drill or saw in the platform. Especially for electrical contractor applications that require electrical tools, this option keeps your instruments within reach. There are no electric lines hanging out from the platform.



Perfect for
ELECTRICAL & PLUMBING WORKS



BASKET CONTROL PANEL

Provided with a full metal cover and plexiglass protection, the basket control panel can perform all the functions of the machine:

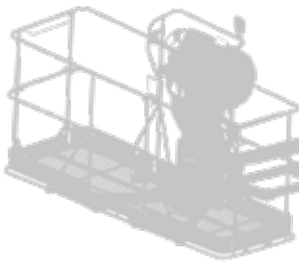
- Transmission
- Speed

- Boom lift and lowering
- Basket controls and rotation

The basket control panel equips indicators lights. So in case of emergency is easier to detect the problem.



- ① Metallic protection bar
- ② Emergency stop button
- ③ Anti-crush device
- ④ Cover in metal and plexiglass protective shield for the basket control panel
- ⑤ Proportional drive control with safety trigger & thumb steer
- ⑥ Light
- ⑦ Indicators



LOW CENTER OF GRAVITY DESIGN (G)

The new design is engineered to have incomparable lifting performances and to respond to a growing market trend for maximum combination of height and outreach.

STABILITY, HEIGHT & REACH

The main advantage of a low centre of gravity is improved stability both when the machine is completely lowered, working at small height, or completely extended, to reach the highest buildings. This feature allows optimized performances in terms of lifting height and maximum reach and capacity.

EASIER ACCESS TO COMPONENTS

Together with the smart control system, this design guarantees also better maintenance of the engine compartment and other components. Furthermore, it facilitates the ordinary services and repair operations.



EASY TRANSPORT & MAINTENANCE

SMART & INTUITIVE CONTROL PANEL

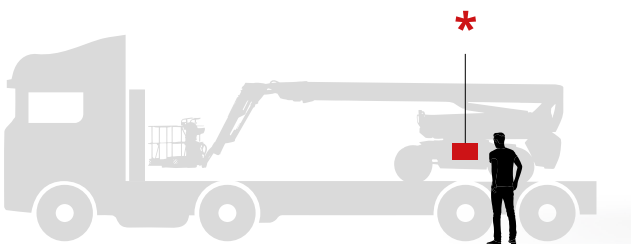
All data are collected in the ground control panel, you can check from here:

- machine parameters (working height, reach, angles...)
- diagnostic & alarms details
- oil pressure & temperature
- engine data & working hours
- fuel level



ERGONOMIC GROUND CONTROL PANEL*

Customers prefer controls with fewer buttons and switches to move the unit into position. Moreover, this makes the learning process easy and intuitive. The patented tilting control panel is located at ergonomic height to facilitate the ground operations and move the unit into trucks in complete safety.



CONVENIENT SERVICEABILITY

Every machine features excellent access to service points as they are located in the lower part of the chassis. Having all components within reach allows to speed and facilitate maintenance. The integrated diagnostic with CAN-BUS technology is an additional solution to speed-up troubleshooting and service the machine better.

Extra short transport position

For telescopic boom lifts DTBJ26RT and DTBJ30RT, the transport position is even shorter. The telescopic jib can be folded to further optimize the dimension for truck transportation.



Reduced operating costs:

without compromising the quality standard, we have designed the machine so that it has **90% of main components and 95% of structural parts in common through all range models**. This means you can easily stock less parts, **saving time and money**.

FLEXIBLE POSITIONING

Having a machine that can easily reach any point is vital. Thanks to the quick boom system, you can rapidly raise and lower the boom achieving the best position. Moreover, the 360° continuous turret rotation guarantees an easy and flexible positioning even when the platform is raised. To further facilitate the work, the basket is equipped with a full 180° hydraulic rotation, and it remains in position throughout the entire range of motion.

EASY TRANSPORTATION

These platforms can be transported to any jobsite really easily. When the boom is fully retracted and lowered, the so called Stowed Position, its dimensions will be just perfect to fit into any basic flatbed truck. Thanks to their compact dimensions, these platforms can also be shipped in **regular container (40HQ)**.



REACH HIGHER CHALLENGES



Telescopic booms are the perfect fit for the most extreme construction sites. The inclination angle offers great flexibility and the possibility to reach any spot easily.

Regular JIB

+81° MAX

-54° MIN

Telescopic JIB

+70° MAX

-60° MIN



180° max **horizontal** rotation angle (+/-90°)

OUTSTANDING HORIZONTAL OUTREACH

Perfect for areas in construction sites with limited access, this range offers greater horizontal outreach than any other type of aerial platform. These models have an outreach from 17.9 m and 23.3 m and a working height from 24 m to 30 m.

EXTRA WORKING RANGE

The rotating basket allows you to position exactly where you need to work. For added flexibility, the telescopic jib boom option gives you an extra extension for greater outreach. The spacious basket allows to perform any work-at-height like construction, renovations, maintenance and inspections.

TELESCOPIC JIB

DTBJ26RT and DTBJ30RT, with their respective electrical models, feature a telescopic jib, which ensures an additional working range. Reaching difficult spots with these machines has never been so easy.

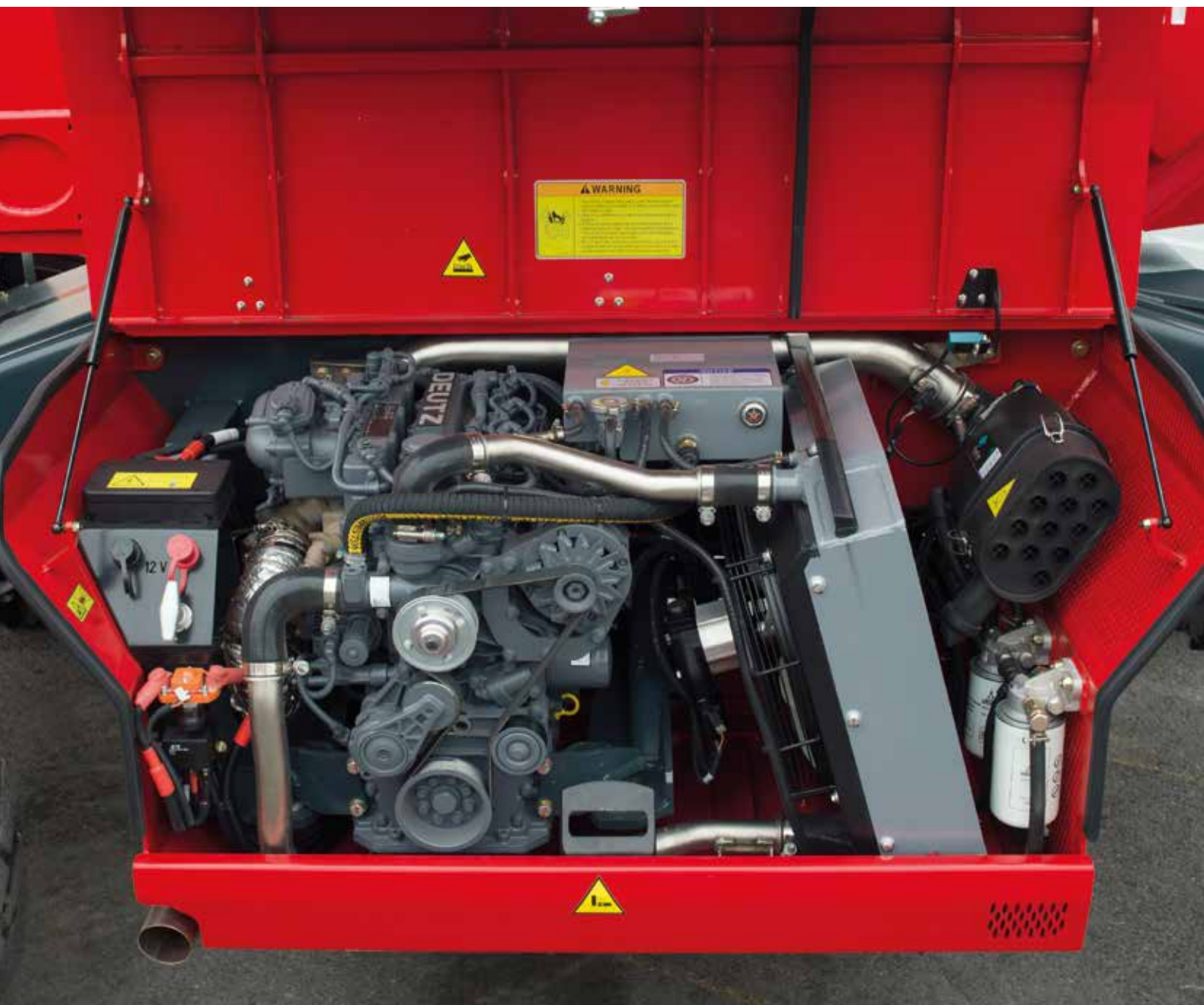
SUPERIOR REACH AND POSITIONING

The platform together with an exceptional horizontal outreach allows you to position exactly where you need to work. For added flexibility, the telescopic jib option provides you with an extra 1,3 m of horizontal or vertical reach and 130° of working range.

DIESEL POWERED: A NEW LEVEL OF PERFORMANCES

Stage V compliant

Magni has decided to equip Stage V engines on this whole product range. The new stage of emission will result in a new generation of boom lifts with higher performances, and efficiency than ever before.





The engine type is equipped with eco green energy saving system, which can control engine speed intelligently, improve heat dissipation, and save energy.

This solution will lead to a reduction in fuel consumption, estimated between 10 and 15%.

POWERFUL AND GREENER

The introduction of Stage V is not all about emissions: it is an opportunity to get greater performance thanks to this new technology. Indeed, Magni has been working on this new product line to deliver very performative and reliable machinery to the market.

ELECTRIC POWERED: GREEN AND COMFORTABLE





More Environmentally Friendly

The emission-free telescopic boom lift is the best option for environmental preservation.

Great Endurance Ability

The power is perfectly calibrated to get max efficiency for any operation.

Longlasting Battery

Battery capacity is optimal for an efficient standard working cycle.

CLEAN AND GREEN

Mindsets in terms of energy are changing rapidly and the environment crisis is at the center of today's political debate. Regulations regarding CO₂ emissions and noise are becoming much stricter and soon many cities will no longer allow the use of diesel engines in worksites. **The electric power system is the solution allowing to eliminate emissions.** These machines are specifically designed to have fewer scheduled services, a quieter work area, and zero emissions.

CLEAN & VERSATILE SOLUTIONS

This range of telescopic electric boom lift, drive through standard doorways, around obstacles and access overhead work from aisles even in areas where weight is limited. Versatile and simple to operate, this boom lift is ideal for multiple indoor jobs on sensitive grass or paved surfaces and flooring such as airports, shopping malls, theatres, stadiums, etc.

LOGLIFE BATTERIES

High capacity lithium batteries come standard on the whole range. The large potential of the batteries ensures great endurance ability and stable performances during the entire working session.

INDOOR USE

The full range of electric models is more environmentally friendly and can be used in indoor applications. The battery power source has low noise and zero emissions, the perfect match to work in schools, malls, residential quarters, and any other environment sensitive to noise and pollution.



*Non-marking tyres:
standard on all electric models.*

RAISING QUALITY STANDARDS



FLASHING BEACON

Orange flashing light warns workers when the platform is moving or is in operation.

FUEL/CHARGE INDICATOR

A level indicator, situated on the ground control panel, provides complete information about fuel reserve or battery charge. On the basket control panel, you have a further indicator when the power/fuel reserve is low.

HOURLY COUNTER

Constantly monitor the life status of your machine. Thanks to the hour counter, which displays the real working hours, you can easily plan routine maintenance and intervention on the platform.

EMERGENCY STOP BUTTON IN THE BASKET AND ON THE CHASSIS

Both the ground control panel and the control panel in the basket have an emergency stop button. The button will interrupt any movement in case of emergency, giving the possibility to return to a safe working position.

ENGINE COMPARTMENT SAFETY

For your safety, the engine cannot be started if the engine compartment is opened.

EMERGENCY WARNING ALARMS

When a potential danger situation takes place or the machine detects an overload, an acoustic alarm advises people nearby.

MOTION ACOUSTIC ALARMS

An acoustic alarm advises all the people in the area that the platform is moving.

ELECTRICAL CIRCUIT AND EMERGENCY PUMP

Both the electrical circuit and the emergency pump work with 12V battery.

OVERLOAD SENSOR

The platform has been equipped with an overload sensor in order to prevent any movement if excessive weight is detected on the basket.

ROTATION LOCKING SYSTEM

To ensure maximum safety while on tyres or when being transported, all machines are equipped with the mechanical turret rotation locking system.

SAFE TO USE IN WINDS UP TO 12,5 M/S

These platforms are designed to work in winds up to 12,5 m/s.

FOCUS ON BASKET SAFETY

EASY ACCESS TO BASKET

The basket is equipped with two sliding bar entrances, one on the front and the other on the side. They are both designed to easily ensure the entry and exit, even while wearing safety equipment (e.g. helmet, reflective jacket...) or tools belt.

BASKET CONTROL PANEL PROTECTION

To protect the basket control panel from any debris or external agent damage, we installed plexiglass protection on the top of the command dashboard.

RUBBER PROTECTION

At the bottom of each basket, we mounted anti-collision rubber protection. Your basket will always be protected when the boom reaches the lowered position.

SAFETY SWITCHES

The unit is equipped with a safety switch on the joystick and a deadman switch pedal. As a safety measure the unit cannot move unless both the pedal and the switch on the joystick are activated at the same time.

ANTI-CRUSH DEVICE

The anti-crush device act as a safety lifeline. They sense the pressure, and in case they are hit, the system instantly stops all the operations. The problem is signalled with an **acoustic alarm** and an **orange warning light**. If the operator cannot move the machine away from danger, a person on the ground can use the turret-mounted base controls to lower the basket out of harm's way.

ANCHOR POINT FOR HARNESS

All baskets have 4 anchor points. Each one must be used by one person at a time only.

PLATFORM LEVELLING INDICATOR

To help position the basket parallel to the ground, a levelling indicator is installed on each boom.



AVAILABLE OPTIONS



AVAILABLE OPTIONS

Get more from your boom lift: boost your efficiency **with our selected options!**

You can easily customize your machine and make it efficient and cost effective, making it suitable for a large variety of applications. Our selected offer of options, aims to offer you an incomparable working experience, no matter what your job is. All our options are complementary and compatible to the standard equipment, we already install on all models of both telescopic and articulated boom lifts.



WARRANTY

On all models we feature a 24-month parts and service warranty*.

The Magni warranty requires your machine to be regularly serviced from new by an authorised Magni dealer.

Our warranty covers any defects attributable to faulty materials or workmanship for a maximum of 2 years or 2,000 machine working hours.

Our Aftersales Team and Spare Parts Department are always ready to support you, every day of the year.

*Consumables are excluded from the warranty.

Articulated boom lifts

DIESEL



OPTION	DAB24RT	DAB28RT
Hydraulic Generator	yes	yes
GPS connector	yes	yes
Fast charging	-	-
Non marking tyres	yes	yes

ELECTRIC



OPTION	BA20ERT	BA22ERT	EAB24RT	EAB28RT
Hydraulic Generator	-	-	-	-
GPS connector	yes	yes	yes	yes
Fast charging	-	-	-	-
Non marking tyres	standard	standard	standard	standard

✓ **HYDRAULIC GENERATOR OF ELECTRIC POWER**

The hydraulic generator is the perfect solution for those needing electricity to power tools and instruments during work (lights, heaters, coolers etc.). This will offer:

- Always ready for use
- Best power-to-size ratio & compact size
- IP23 and IP54 protection classifications

This option offers increased productivity that translates to no power interruptions when using power tools.

✓ **GPS CONNECTOR**

Predisposition for installing the GPS system (track & trace system). The GPS system itself is not included in the option.

✓ **FAST CHARGING**

Faster recharge of batteries permits to get back to work in short times with the maximum power. The perfect option to get the maximum efficiency in every work cycle.

✓ **NON MARKING TYRES**

Tyres specific for sensible floors, that leave no trace.



Telescopic boom lifts

OPTION	DTB24RT	DTBJ26RT	DTB26RT	DTB28RT	DTBJ30RT
Hydraulic Generator	yes	yes	yes	yes	yes
GPS connector	yes	yes	yes	yes	yes
Fast charging	-	-	-	-	-
Non marking tyres	yes	yes	yes	yes	yes

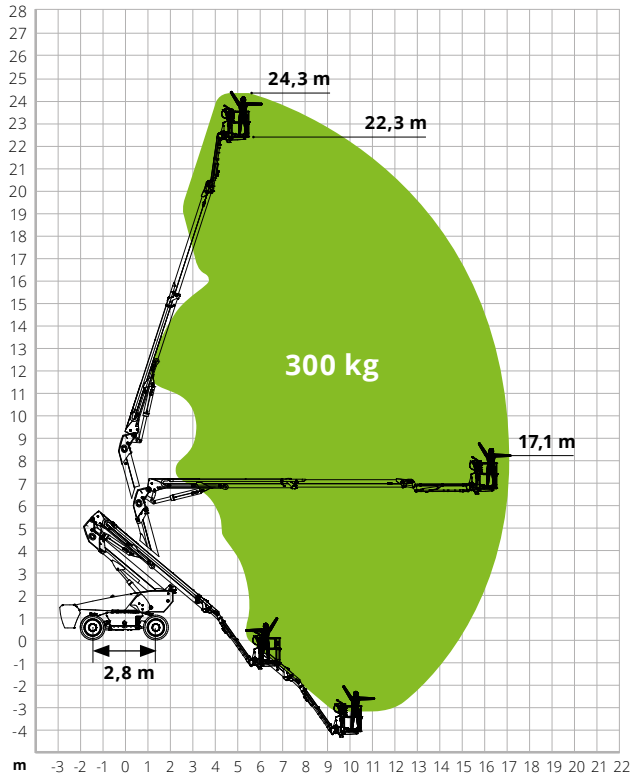
OPTION	ETB24RT	ETB26RT	ETBJ26RT	ETB28RT	ETBJ30RT
Hydraulic Generator	-	-	-	-	-
GPS connector	yes	yes	yes	yes	yes
Fast charging	yes	yes	yes	yes	yes
Non marking tyres	standard	standard	standard	standard	standard

LOAD CHARTS

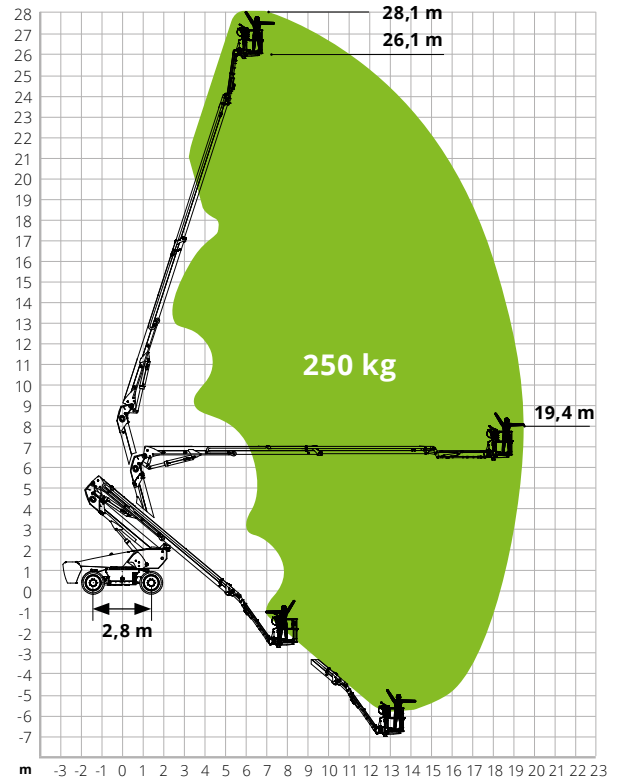


Articulated boom lift load diagrams

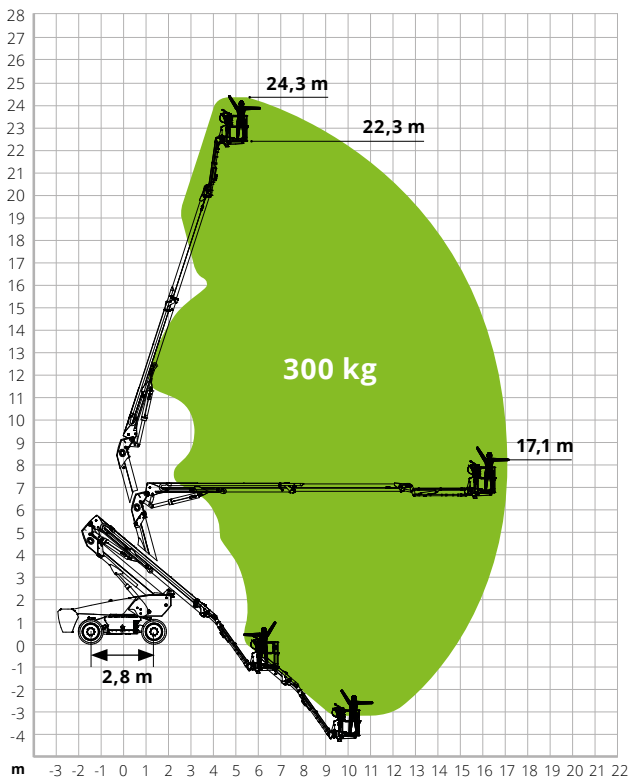
DAB24RT



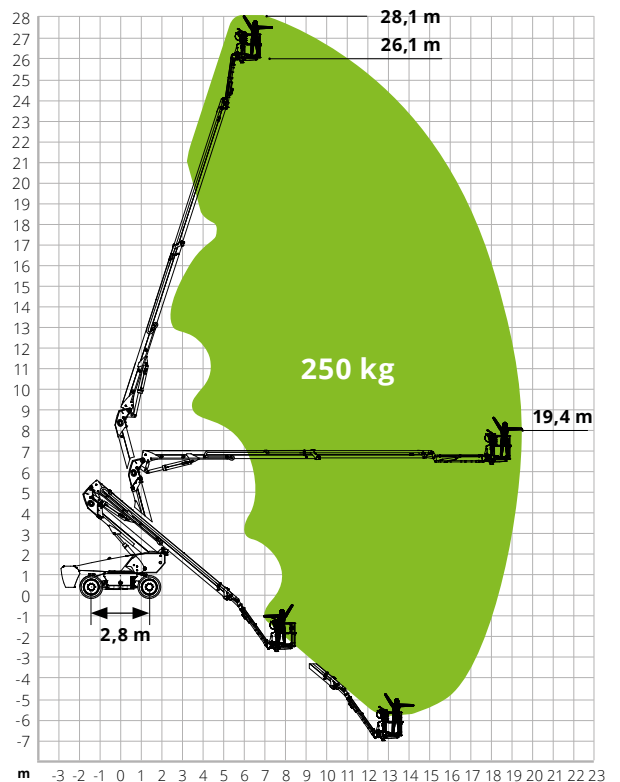
DAB28RT



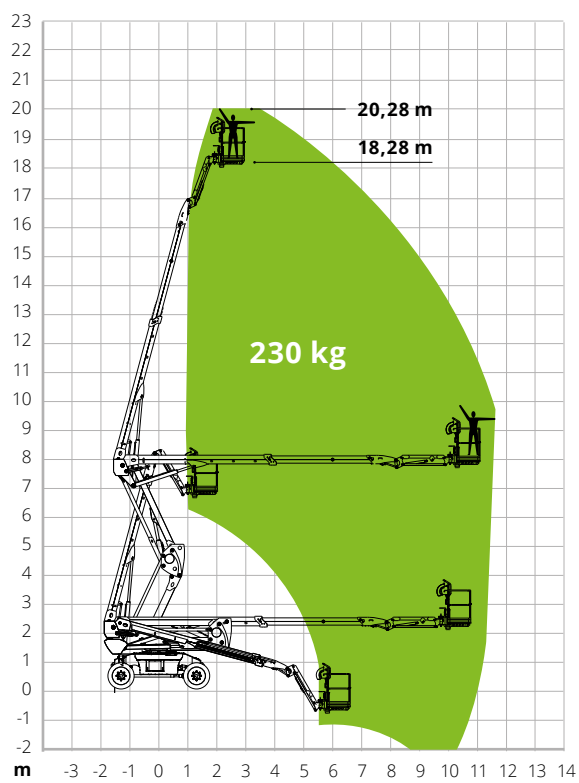
EAB24RT



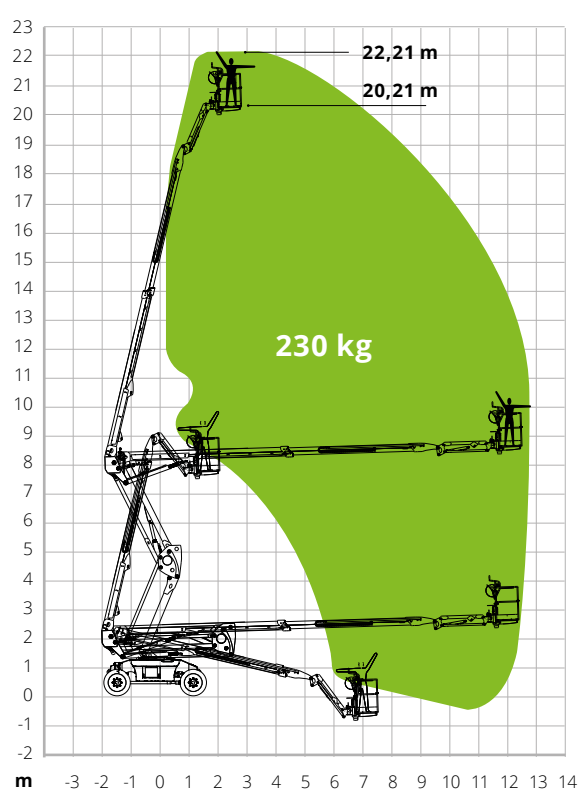
EAB28RT



BA20ERT

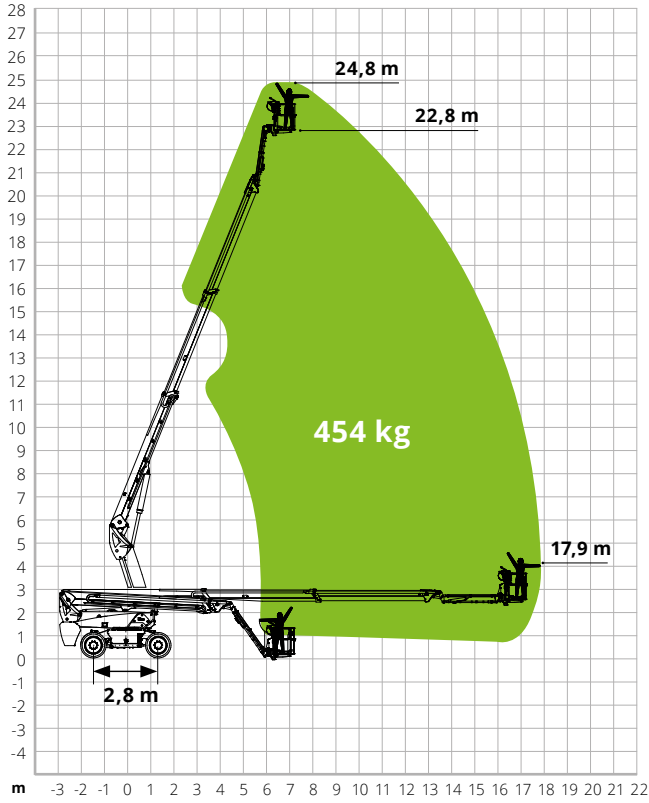


BA22ERT

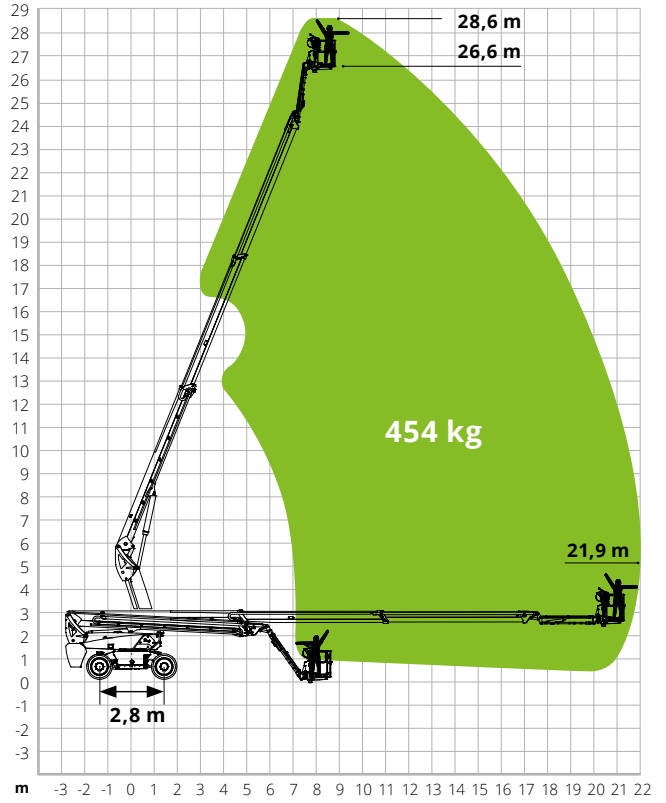


Telescopic boom lift load diagrams

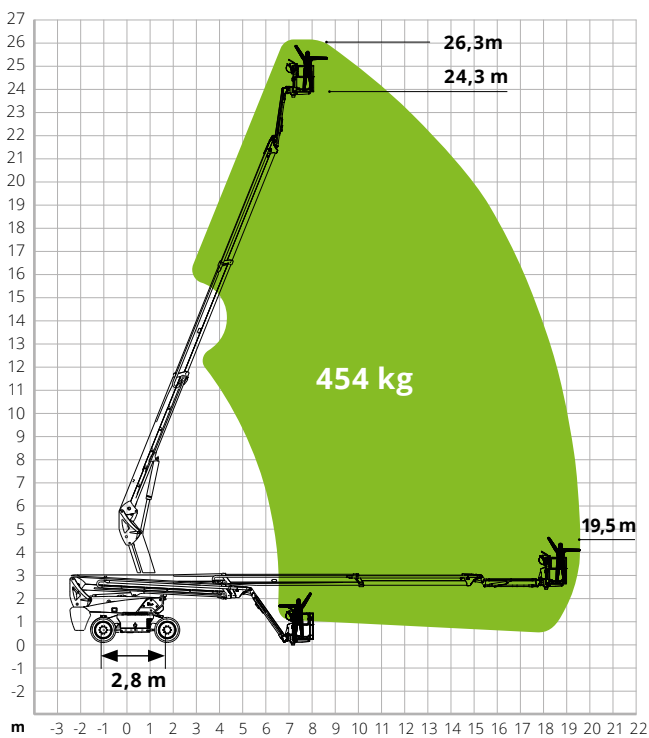
DTB24RT / ETB24RT



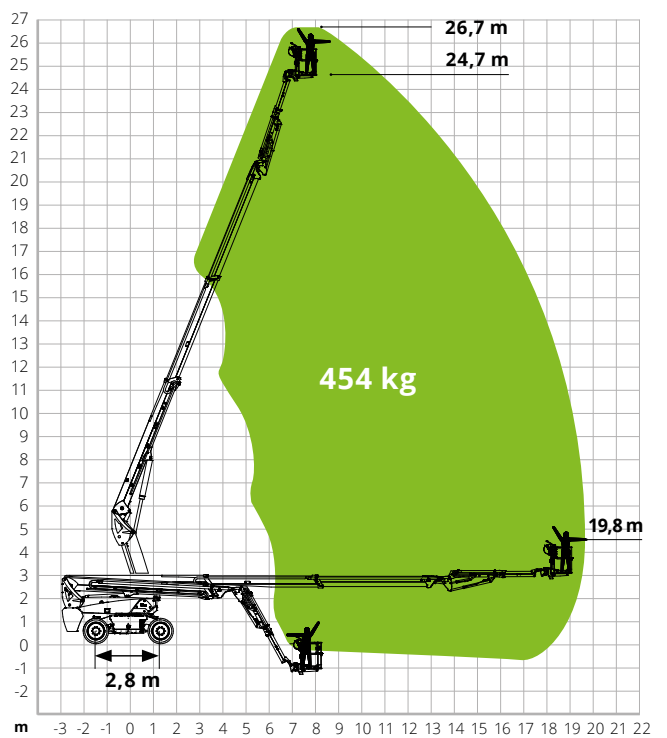
DTB28RT / ETB28RT



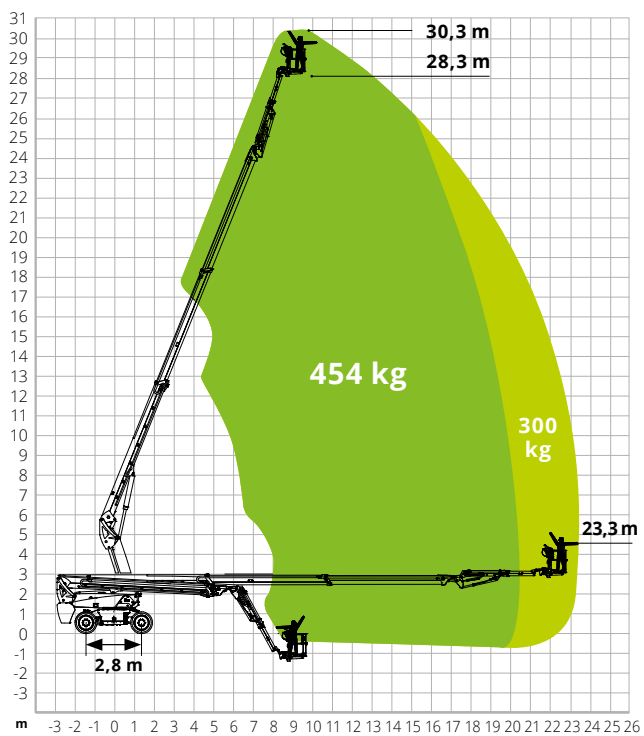
DTB26RT / ETB26RT



DTBJ26RT / ETBJ26RT



DTBJ30RT / ETBJ30RT



TECHNICAL DATA



ARTICULATED BOOM LIFTS

DIESEL POWERED

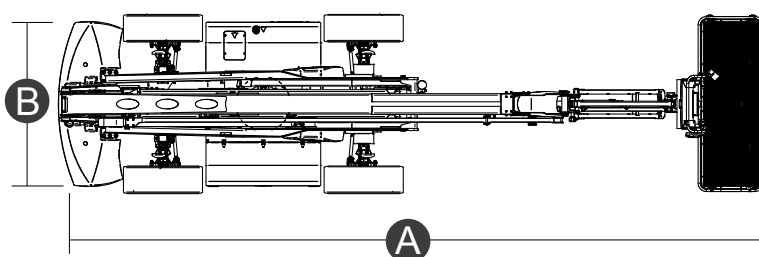
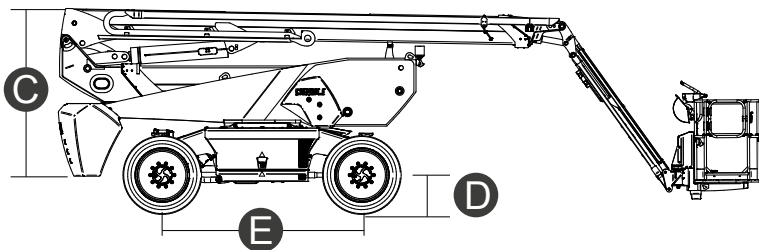
TECHNICAL DATA

	DAB24RT	DAB28RT
Max. working height	24.30 m	28.10 m
Max. basket height	22.30 m	26.10 m
Articulation point	9.14 m	9.14 m
Max. reach	17.10 m	19.40 m
Below-ground height	4.00 m	6.60 m
Below-ground reach	11.10 m	14.20 m
Max. platform load capacity	300 kg	250 kg
Max. gradeability (stowed)	45%	45%
Max. working slope	X -5° / Y -5°	X -5° / Y -5°
Max. wind speed	12.5 m/s	12.5 m/s
Platform length (A)	9.83 m	11.83 m
Platform width (tyres) (B)	2.50 m	2.50 m
Platform height (C)	2.89 m	2.89 m
Platform length (stowed)	-	-
Wheelbase (E)	2.80 m	2.80 m
Tailswing	1.61 m	1.61 m
Ground clearance (D)	0.43 m	0.43 m
Turning radius (outside)	3.74 m	3.74 m
Turning radius (inside)	0.98 m	0.98 m
Turret rotation (continuous)	360°	360°
Boom vertical rotation	112° (+72°/-40°)	112° (+72°/-40°)
Jib type	Regular	Regular
Jib length	2.60 m	2.60 m
Jib vertical rotation	135° (-54°/+81°)	135° (-54°/+81°)
Basket width	0.90 m	0.90 m
Basket length	2.44 m	2.44 m



	DAB24RT	DAB28RT
Basket rotation	180° (+/-90°)	180° (+/-90°)
Total weight	17,200 kg	18,400 kg
Travel speed (closed config.)	6 km/h	6 km/h
Travel speed (working config.)	1.1 km/h	1.1 km/h
Tyres (foam filled)	385/45-28	385/45-28
Engine	Deutz TD2.9 L4 55.4 kW	Deutz TD2.9 L4 55.4 kW
Diesel tank capacity	135 l	135 l
Hydraulic tank capacity	165 l	165 l
Electrical system	12 V DC	12 V DC
Transmission	Hydrostatic	Hydrostatic

STANDARDS COMPLIANCE: EN 280

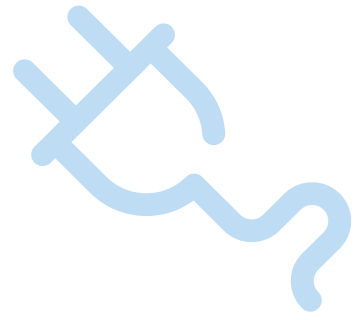


ARTICULATED BOOM LIFTS

ELECTRIC POWERED

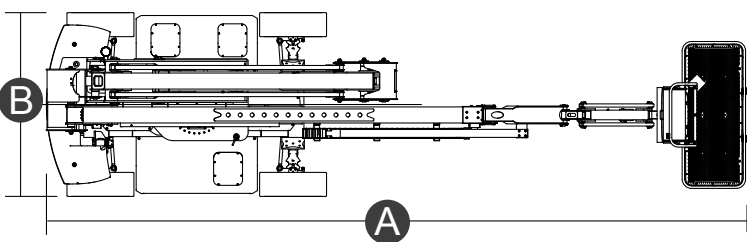
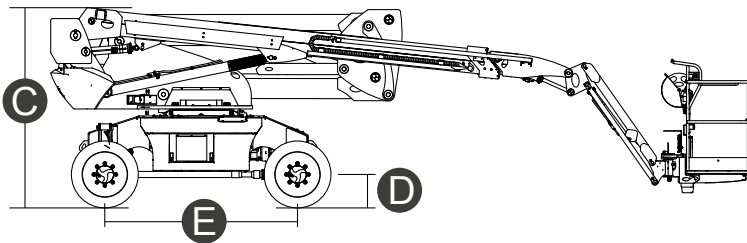
TECHNICAL DATA

	BA20ERT	BA22ERT
Max. working height	20.28 m	22.21 m
Max. basket height	20.21 m	18.28 m
Articulation point	7.70 m	8.13 m
Max. reach	12.72 m	10.69 m
Below-ground height	1.77 m	1.263 m
Below-ground reach	10.30 m	11.30 m
Max. platform load capacity	230 kg	230 kg
Max. gradeability (stowed)	30%	30%
Max. working slope	X -5° / Y -5°	X -5° / Y -5°
Max. wind speed	12.5 m/s	12.5 m/s
Platform length (A)	8.72 m	9.55 m
Platform width (tyres) (B)	2.29 m	2.29 m
Platform height (C)	2.49 m	2.49 m
Platform length (stowed)	-	-
Wheelbase (E)	2.40 m	2.40 m
Tailswing	0.73 m	0.93 m
Ground clearance (D)	0.279 m	0.279 m
Turning radius (outside)	2.57 m	2.57 m
Turning radius (inside)	1.56 m	1.56 m
Turret rotation (continuous)	360°	360°
Boom vertical rotation	-	-
Jib type	-	-
Jib length	-	-
Jib vertical rotation	+70°/-60°	+70°/-60°
Basket width	0.79 m	0.79 m
Basket length	1.83 m	1.83 m



	BA20ERT	BA22ERT
Basket rotation	180° (+/-90°)	180° (+/-90°)
Total weight	9,590 kg	10,100 kg
Travel speed (closed config.)	6.1 km/h	6.1 km/h
Travel speed (working config.)	1.1 km/h	1.1 km/h
Tyres (non-marking)	315/55 D20	315/55 D20
Hydraulic tank capacity	67 l	67 l
Battery Type	Lead-acid Battery	Lead-acid Battery
Powersource	24x2V/375Ah	24x2V/375Ah
Charger	48V/60A	48V/60A
Transmission	Hydrostatic	Hydrostatic

STANDARDS COMPLIANCE: EN 280

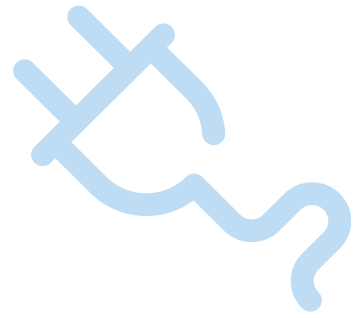


ARTICULATED BOOM LIFTS

ELECTRIC POWERED

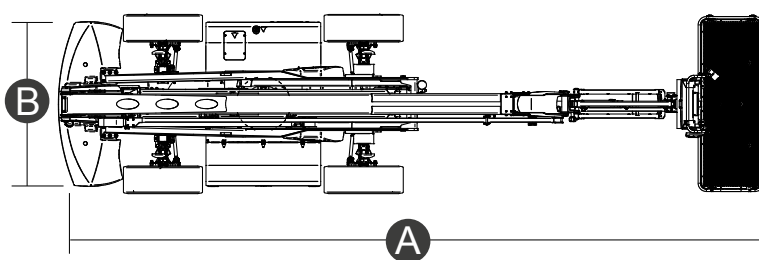
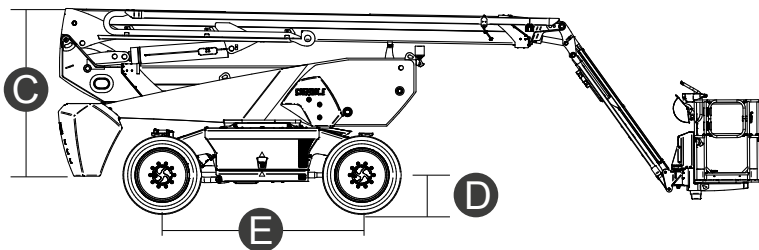
TECHNICAL DATA

	EAB24RT	EAB28RT
Max. working height	24.30 m	28.10 m
Max. basket height	22.30 m	26.10 m
Articulation point	9.14 m	9.14 m
Max. reach	17.10 m	19.40 m
Below-ground height	4.00 m	6.60 m
Below-ground reach	11.10 m	14.20 m
Max. platform load capacity	300 kg	250 kg
Max. gradeability (stowed)	30%	30%
Max. working slope	X -5° / Y -5°	X -5° / Y -5°
Max. wind speed	12.5 m/s	12.5 m/s
Platform length (A)	9.83 m	11.83 m
Platform width (tyres) (B)	2.50 m	2.50 m
Platform height (C)	2.89 m	2.89 m
Platform length (stowed)	-	-
Wheelbase (E)	2.80 m	2.80 m
Tailswing	1.61 m	1.61 m
Ground clearance (D)	0.43 m	0.43 m
Turning radius (outside)	3.74 m	3.74 m
Turning radius (inside)	0.98 m	0.98 m
Turret rotation (continuous)	360°	360°
Boom vertical rotation	112° (+72°/-40°)	112° (+72°/-40°)
Jib type	Regular	Regular
Jib length	2.60 m	2.60 m
Jib vertical rotation	135° (-54°/+81°)	135° (-54°/+81°)
Basket width	0.90 m	0.90 m
Basket length	2.44 m	2.44 m



	EAB24RT	EAB28RT
Basket rotation	180° (+/-90°)	180° (+/-90°)
Total weight	17,200 kg	18,400 kg
Travel speed (closed config.)	6 km/h	6 km/h
Travel speed (working config.)	1.1 km/h	1.1 km/h
Tyres (non-marking)	385/45-28	385/45-28
Hydraulic tank capacity	165 l	165 l
Battery Type	Lithium Battery	Lithium Battery
Powersource	520Ah/80V	520Ah/80V
Charger	5kW/80V,12V	5kW/80V,12V
Transmission	Electric	Electric

STANDARDS COMPLIANCE: EN 280



TELESCOPIC BOOM LIFTS

DIESEL POWERED

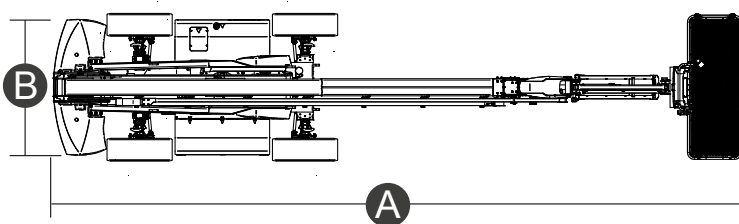
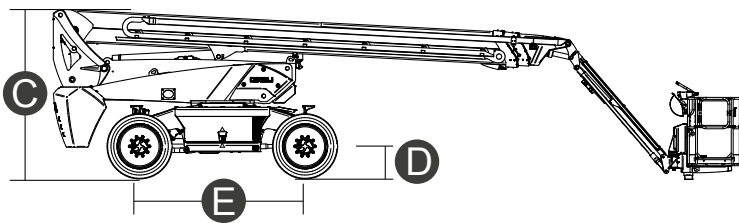
TECHNICAL DATA

	DTB24RT	DTB26RT	DTB28RT
Max. working height	24.80 m	26.30 m	28.60 m
Max. basket height	22.80 m	24.30 m	26.60 m
Max. reach	17.90 m	19.50 m	21.90 m
Max. platform load capacity	454 kg	454 kg	454 kg
Max. gradeability (stowed)	45%	45%	45%
Max. working slope	X -5° / Y -5°	X -5° / Y -5°	X -5° / Y -5°
Max. wind speed	12.5 m/s	12.5 m/s	12.5 m/s
Platform length (A)	10.25 m	10.82 m	11.66 m
Platform width (tyres) (B)	2.50 m	2.50 m	2.50 m
Platform height (C)	2.89 m	2.89 m	2.89 m
Platform length (stowed)	-	-	-
Wheelbase (E)	2.80 m	2.80 m	2.80 m
Tailswing	1.61 m	1.61 m	1.61 m
Ground clearance (D)	0.43 m	0.43 m	0.43 m
Turning radius (outside)	3.74 m	3.74 m	3.74 m
Turning radius (inside)	0.98 m	0.98 m	0.98 m
Turret rotation (continuous)	360°	360°	360°
Boom vertical rotation	71° (+68°/ -3°)	71° (+68°/ -3°)	71° (+68°/ -3°)
Jib type	Regular	Regular	Regular
Jib length	2.60 m	2.60 m	2.60 m
Jib vertical rotation	135° (-54°/+81°)	135° (-54°/+81°)	135° (-54°/+81°)
Basket width	0.90 m	0.90 m	0.90 m
Basket length	2.44 m	2.44 m	2.44 m
Basket rotation	180° (+/-90°)	180° (+/-90°)	180° (+/-90°)
Total weight	14.300 kg	16.090 kg	18.400 kg
Travel speed (closed config.)	6 km/h	6 km/h	6 km/h



	DTB24RT	DTB26RT	DTB28RT
Travel speed (working config.)	1.1 km/h	1.1 km/h	1.1 km/h
Tyres (foam filled)	385/45-28	385/45-28	385/45-28
Engine	Deutz TD2.9 L4 55.4 kW	Deutz TD2.9 L4 55.4 kW	Deutz TD2.9 L4 55.4 kW
Diesel tank capacity	135 l	135 l	135 l
Hydraulic tank capacity	165 l	165 l	165 l
Electrical system	12 V DC	12 V DC	12 V DC
Transmission	Hydrostatic	Hydrostatic	Hydrostatic

STANDARDS COMPLIANCE: EN 280



TELESCOPIC BOOM LIFTS

DIESEL POWERED

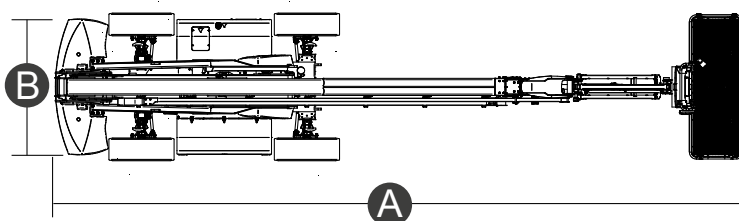
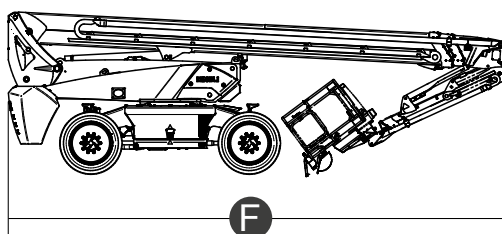
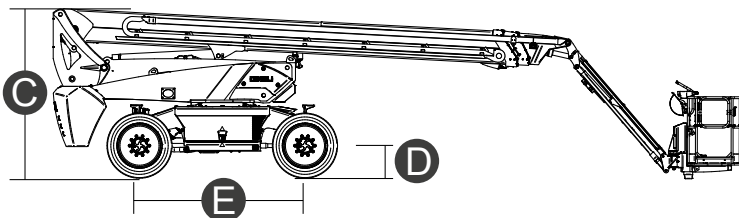
TECHNICAL DATA

	DTBJ26RT	DTBJ30RT
Max. working height	26.70 m	30.30 m
Max. basket height	24.70 m	28.30 m
Max. reach	19.80 m	23.30 m
Max. platform load capacity	454 kg	300 kg / 454 kg
Max. gradeability (stowed)	45%	45%
Max. working slope	X -5° / Y -5°	X -5° / Y -5°
Max. wind speed	12.5 m/s	12.5 m/s
Platform length (A)	10.83 m	12.25 m
Platform width (tyres) (B)	2.50 m	2.50 m
Platform height (C)	2.89 m	2.89 m
Platform length (stowed) (F)	8.51 m	8.79 m
Wheelbase (E)	2.80 m	2.80 m
Tailswing	1.61 m	1.61 m
Ground clearance (D)	0.43 m	0.43 m
Turning radius (outside)	3.74 m	3.74 m
Turning radius (inside)	0.98 m	0.98 m
Turret rotation (continuous)	360°	360°
Boom vertical rotation	71° (+68° / -3°)	71° (+68° / -3°)
Jib type	Telescopic	Telescopic
Jib length	3.00/4.30 m	3.00/4.30 m
Jib vertical rotation	130° (-60°/+70°)	130° (-60°/+70°)
Basket width	0.90 m	0.90 m
Basket length	2.44 m	2.44 m
Basket rotation	180° (+/-90°)	180° (+/-90°)
Total weight	16,600 kg	18,900 kg
Travel speed (closed config.)	6 km/h	6 km/h



	DTBJ26RT	DTBJ30RT
Travel speed (working config.)	1,1 km/h	1.1 km/h
Tyres (foam filled)	385/45-28	385/45-28
Engine	Deutz TD2.9 L4 55.4 kW	Deutz TD2.9 L4 55.4 kW
Diesel tank capacity	135 l	135 l
Hydraulic tank capacity	165 l	165 l
Electrical system	12 V DC	12 V DC
Transmission	Hydrostatic	Hydrostatic

STANDARDS COMPLIANCE: EN 280

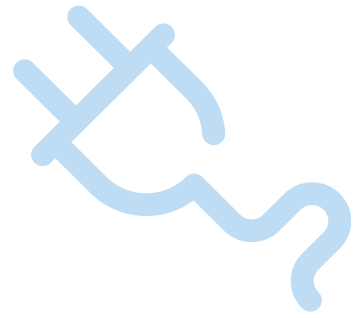


TELESCOPIC BOOM LIFTS

ELECTRIC POWERED

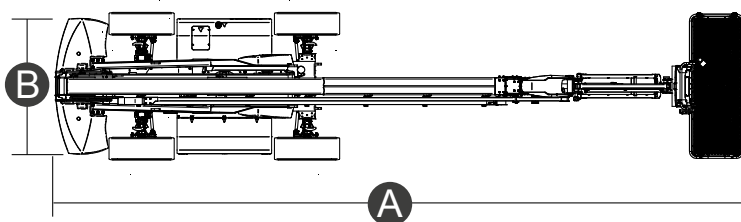
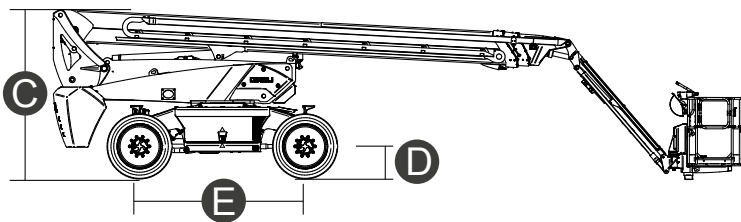
TECHNICAL DATA

	ETB24RT	ETB26RT	ETB28RT
Max. working height	24.80 m	26.30 m	28.60 m
Max. basket height	22.80 m	24.30 m	26.60 m
Max. reach	17.90 m	19.50 m	21.90 m
Max. platform load capacity	454 kg	454 kg	454 kg
Max. gradeability (stowed)	30%	30%	30%
Max. working slope	X -5° / Y -5°	X -5° / Y -5°	X -5° / Y -5°
Max. wind speed	12.5 m/s	12.5 m/s	12.5 m/s
Platform length (A)	10.25 m	10.82 m	11.66 m
Platform width (tyres) (B)	2.50 m	2.50 m	2.50 m
Platform height (C)	2.89 m	2.89 m	2.89 m
Platform length (stowed)	-	-	-
Wheelbase (E)	2.80 m	2.80 m	2.80 m
Tailswing	1.61 m	1.61 m	1.61 m
Ground clearance (D)	0.43 m	0.43 m	0.43 m
Turning radius (outside)	3.74 m	3.74 m	3.74 m
Turning radius (inside)	0.98 m	0.98 m	0.98 m
Turret rotation (continuous)	360°	360°	360°
Boom vertical rotation	71° (+68°/ -3°)	71° (+68°/ -3°)	71° (+68°/ -3°)
Jib type	Regular	Regular	Regular
Jib length	2.60 m	2.60 m	2.60 m
Jib vertical rotation	135° (-54°/+81°)	135° (-54°/+81°)	135° (-54°/+81°)
Basket width	0.90 m	0.90 m	0.90 m
Basket length	2.44 m	2.44 m	2.44 m
Basket rotation	180° (+/-90°)	180° (+/-90°)	180° (+/-90°)
Total weight	14,300 kg	16,090 kg	18,400 kg
Travel speed (closed config.)	6 km/h	6 km/h	6 km/h



	ETB24RT	ETB26RT	ETB28RT
Travel speed (working config.)	1.1 km/h	1.1 km/h	1.1 km/h
Tyres (non-marking)	385/45-28	385/45-28	385/45-28
Hydraulic tank capacity	165 l	165 l	165 l
Battery Type	Lithium Battery	Lithium Battery	Lithium Battery
Powersource	520Ah/80V	520Ah/80V	520Ah/80V
Charger	5kW/80V,12V	5kW/80V,12V	5kW/80V,12V
Transmission	Electric	Electric	Electric

STANDARDS COMPLIANCE: EN 280

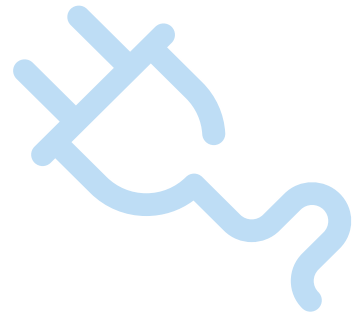


TELESCOPIC BOOM LIFTS

ELECTRIC POWERED

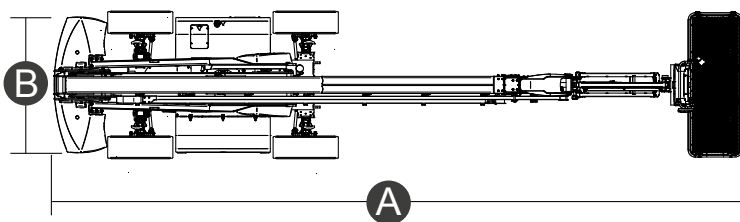
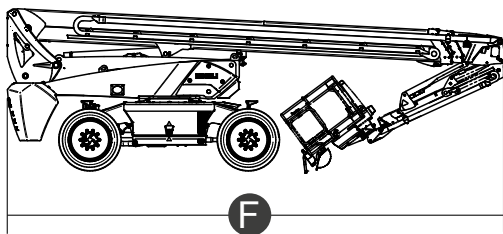
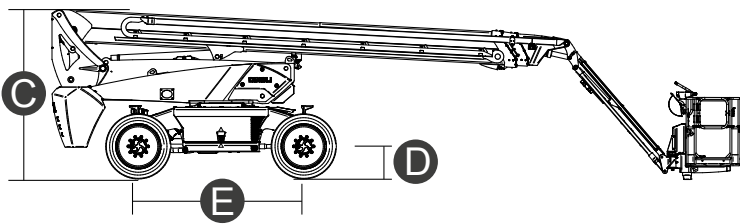
TECHNICAL DATA

	ETBJ26RT	ETBJ30RT
Max. working height	26.70 m	30.30 m
Max. basket height	24.70 m	28.30 m
Max. reach	19.80 m	23.30 m
Max. platform load capacity	454 kg	300 kg / 454 kg
Max. gradeability (stowed)	30%	30%
Max. working slope	X -5° / Y -5°	X -5° / Y -5°
Max. wind speed	12.5 m/s	12.5 m/s
Platform length (A)	10.83 m	12.25 m
Platform width (tyres) (B)	2.50 m	2.50 m
Platform height (C)	2.89 m	2.89 m
Platform length (stowed) (F)	8.51 m	8.79 m
Wheelbase (E)	2.80 m	2.80 m
Tailswing	1.61 m	1.61 m
Ground clearance (D)	0.43 m	0.43 m
Turning radius (outside)	3.74 m	3.74 m
Turning radius (inside)	0.98 m	0.98 m
Turret rotation (continuous)	360°	360°
Boom vertical rotation	71° (+68° / -3°)	71° (+68° / -3°)
Jib type	Telescopic	Telescopic
Jib length	3.00/4.30 m	3.00/4.30 m
Jib vertical rotation	130° (-60°/+70°)	130° (-60°/+70°)
Basket width	0.90 m	0.90 m
Basket length	2.44 m	2.44 m
Basket rotation	180° (+/-90°)	180° (+/-90°)
Total weight	16,600 kg	18,900 kg
Travel speed (closed config.)	6 km/h	6 km/h



	ETBJ26RT	ETBJ30RT
Travel speed (working config.)	1.1 km/h	1.1 km/h
Tyres (non-marking)	385/45-28	385/45-28
Hydraulic tank capacity	165 l	165 l
Battery Type	Lithium Battery	Lithium Battery
Powersource	520Ah/80V	520Ah/80V
Charger	5kW/80V,12V	5kW/80V,12V
Transmission	Electric	Electric

STANDARDS COMPLIANCE: EN 280





The data in this brochure are provided for the purposes of information and subject to change without notice.