

HTH RANGE COLLECTION





**Quality, craftsmanship and innovation.
The secret lies in precision. Having clear ideas is vital:
we need to know where we want to go and what we want to create.
And at Magni, we throw our all into accomplishing it.**

Riccardo Magni – President

Magni Telescopic Handlers was founded in 2013. Thus, began the development of the widest range of rotating telescopic handlers on the market; from rotating telescopic handlers to fixed, heavy-duty models and construction fixed boom telehandlers. Italy was no longer enough and so six further branches have been set up: Magni TH France, Magni UK, Magni America, Magni Deutschland, Magni SA and Magni Asia Pacific. To offer our clients the best technical and commercial service around, we have created a network of over 300 dealers, a number that is constantly increasing. And that is just the beginning of our story.

MAGNI: EXPERIENCE, RELIABILITY AND VERSATILITY

Magni's expertise has been applauded as the industry leader for the development of a specific range of heavy-duty machines: the HTH RANGE. From 10 to 50 ton lifting capacity, HTH take on such

onerous tasks and become the ideal companion for those requiring performance and reliability in extreme conditions. They are undisputed champions in heavy-duty work.



HTH 10.10

HTH 16.10

HTH 20.10

HTH 24.11



HTH 27.11

HTH 30.12

HTH 35.12

HTH 50.14



HEAVY INDUSTRY

Even in a demanding sector like the oil & gas sector, HTH can meet all expectations both in gas pipelines support for on-site activities and quarry machinery maintenance and repairs.



HEAVY LOGISTICS

Inside mines and quarries, Magni HTH are also used for the logistics of heavy and bulky materials. All models are 4 wheel drive and steering and perfect for working on rough and uneven terrain with extreme stability.



MINING & QUARRING

A specific range of attachments for mines and quarries has been developed to propose maximum flexibility. Replacing tyres and cylinders or handling conveyor belts and coils have never been easier.



SPECIAL PROJECTS

HTH models offer top performances combining impeccable precision to total safety. This is why they are definitely suitable for exceptional works in difficult environmental contexts which require much skill and effort.



CAB COMFORT



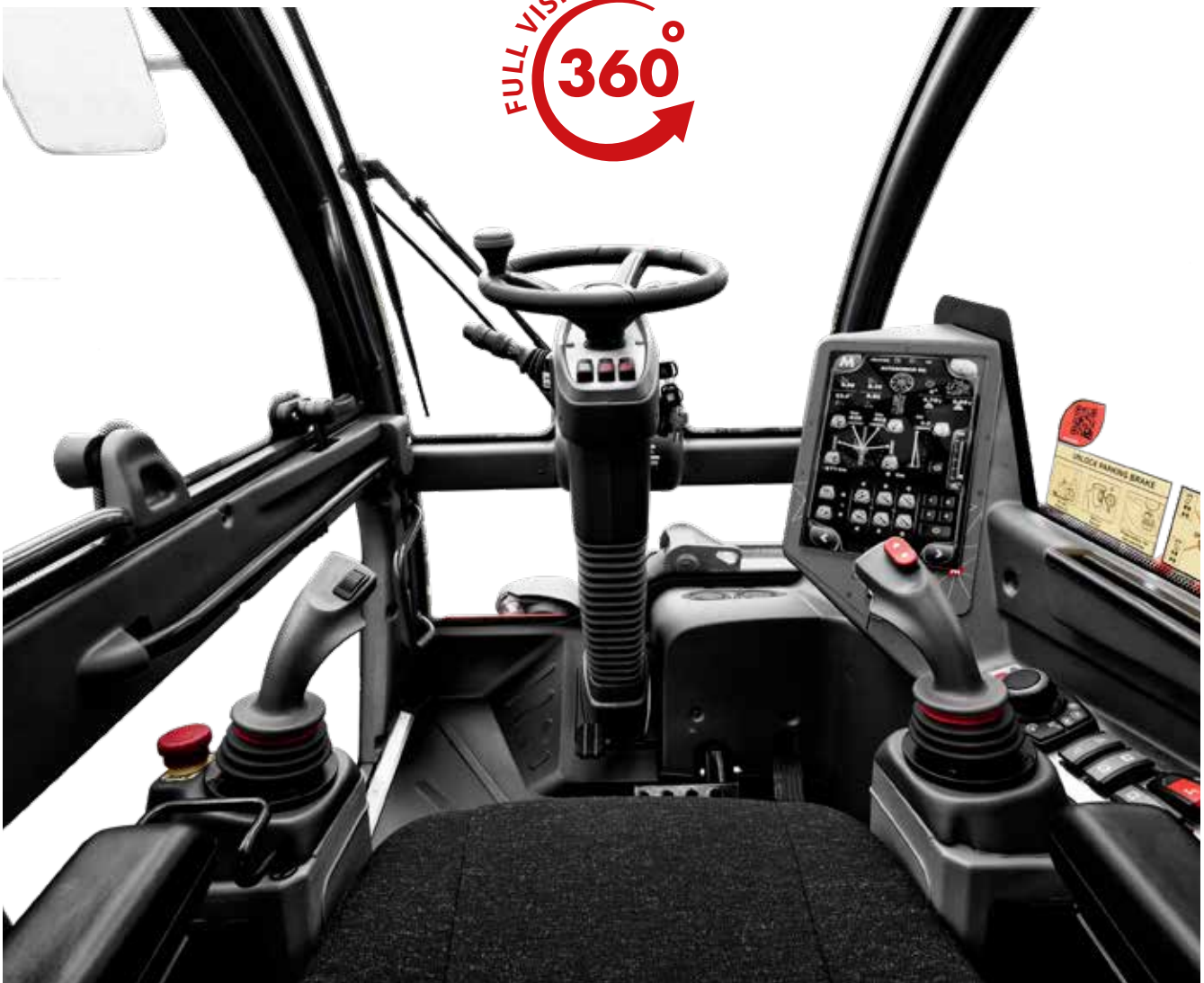
**REGISTERED CAB
WITH FULL VISIBILITY**

The innovative design of Magni's cabs ensures unbeatable operator comfort and safety. The cab has **full visibility** thanks to a large windscreen which extends from the operator's head to their feet, allowing them to view the load even when it is suspended overhead or with the boom completely lowered.



**FOPS/ROPS
PRESSURISED CAB**

The cab is **FOPS/ROPS** certified and equipped with an upper grill guard to guarantee operator safety even during the most delicate operations. The cabin is also airtight and fully pressurised, to ensure a safe working environment for the operator at all times.





HEATING AIR-CONDITIONING

Our HTH range can be used in each part of the world, from coldest Siberia, to the hotter African desert. Each machine equips with **heating and air conditioning**, to grant comfortable working conditions throughout all the year.



100% AIR FILTRATION

Magni machines are equipped with **100% air filtration**. This feature, which is standard on all HTH models, enables to use the machine even in polluted or contaminated environment. You simply have to change the filter according to your needs.



ADJUSTABLE STEERING COLUMN

Achieving the most **comfortable and ergonomic driving position** is essential while working. The Magni RTH cab allows you to easily adjust the steering wheel to the most ergonomic and comfortable position. Nevertheless, when the column is straight, you can effortlessly access the cab. The seat can also be moved forwards and backwards to achieve the perfect support for your back.



MUG HOLDER

Recently added to the cab, you will now find a **mug holder**. This is a big hit with operators, allowing them to enjoy their morning coffee or other beverages during their breaks. The cab also features a USB port as standard, ideal for charging tablets and smartphones.



CONTROL PANEL

MAGNI CONTROL PANEL

The user-friendly display is very intuitive, both for beginner and expert operators. In case of faults, it can communicate the problem with more than 170 written fault messages in 12 different languages. The interface is completely touch screen for fast selection of the tools, but if you prefer, you can go through different pages also with the joystick.

With the display, the operator can manage all functions of the machine from the operational point of view (e.g. stabilizers, heating, speed,...). None the less the operator can also use service and diagnostics functions. The display has the built-in possibility to be easily updated remotely from our Aftersales Team.

INTEGRATED DIAGNOSTICS

Fast and simple troubleshooting of electrical and electronically managed components allows for reductions in machine downtime. When a fault is detected, the system automatically shuts off any movement likely to worsen the fault and displays an alarm code which identifies the fault type.

7" TOUCHSCREEN

All Magni HTH models are equipped with a 7" touchscreen display. The machine management software installed on the touchscreen gathers all usage data and displays them conveniently over three different pages. Navigating between these pages is extremely easy and intuitive, even for less expert users.



MCTS **MAGNI COMBI TOUCH SYSTEM**

The Magni Combi Touch System is a brand new concept in machine management; it is easy to use for both expert and new operators, thanks to its icon-based design which makes it highly intuitive. The system is divided into 3 main pages, each one dedicated to different functions. Each page can also be easily brought up via a specific button on the joystick.



1



DRIVE PAGE

All data on the transmission and its components are shown in the upper section, just like a traditional instrument cluster, whereas the lower section allows the driver to select the type of steering. This selection is facilitated by the presence of two alignment sensors. It is also possible to set the speed (tortoise/hare).

2



LOAD CHART PAGE

Magni uses the "Load Moment Indicator" system which meets all regulations for cranes. The screen displays a dynamic load chart which allows the operator to keep a constant view of the payload's centre of gravity.

3



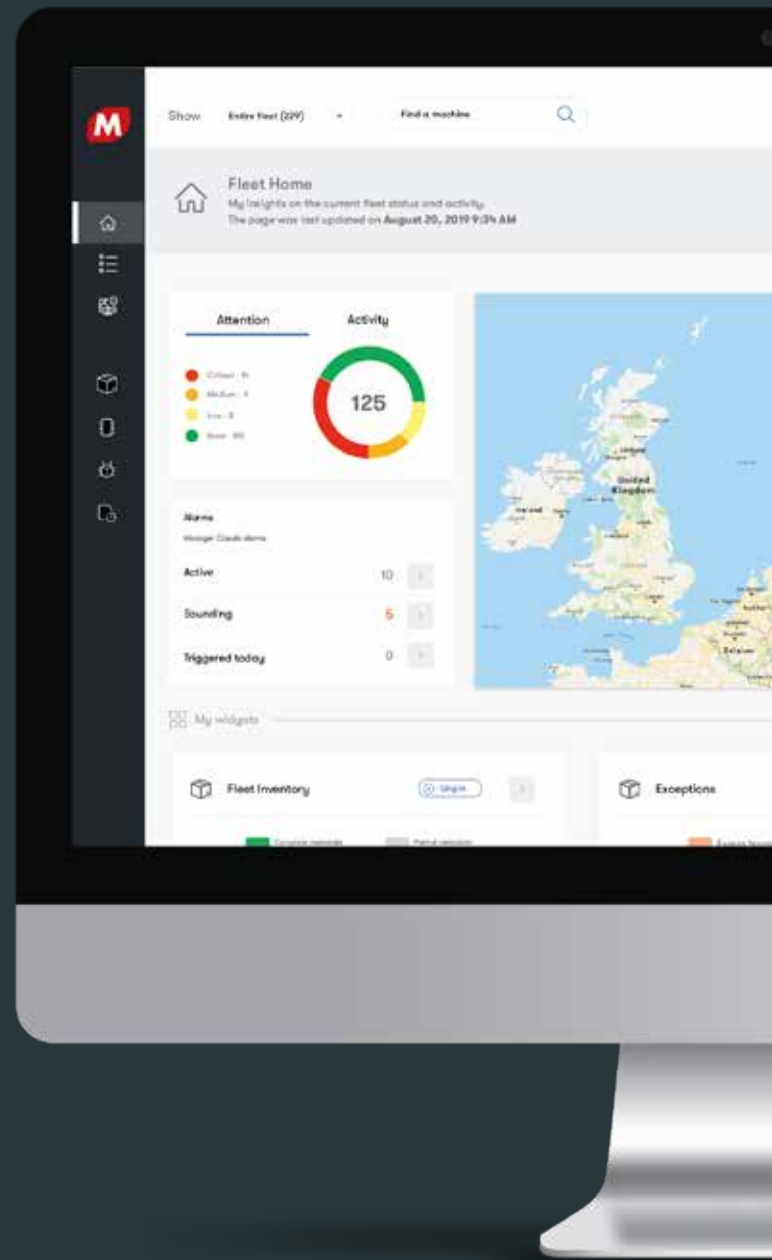
CONTROL PAGE

The upper section is used to manage basic cab commands (such as temperature and ventilation), the middle section is dedicated to the machine lights, while the lower section displays the various available options for switching from the cab controls to remote control.



The New Fleet Management

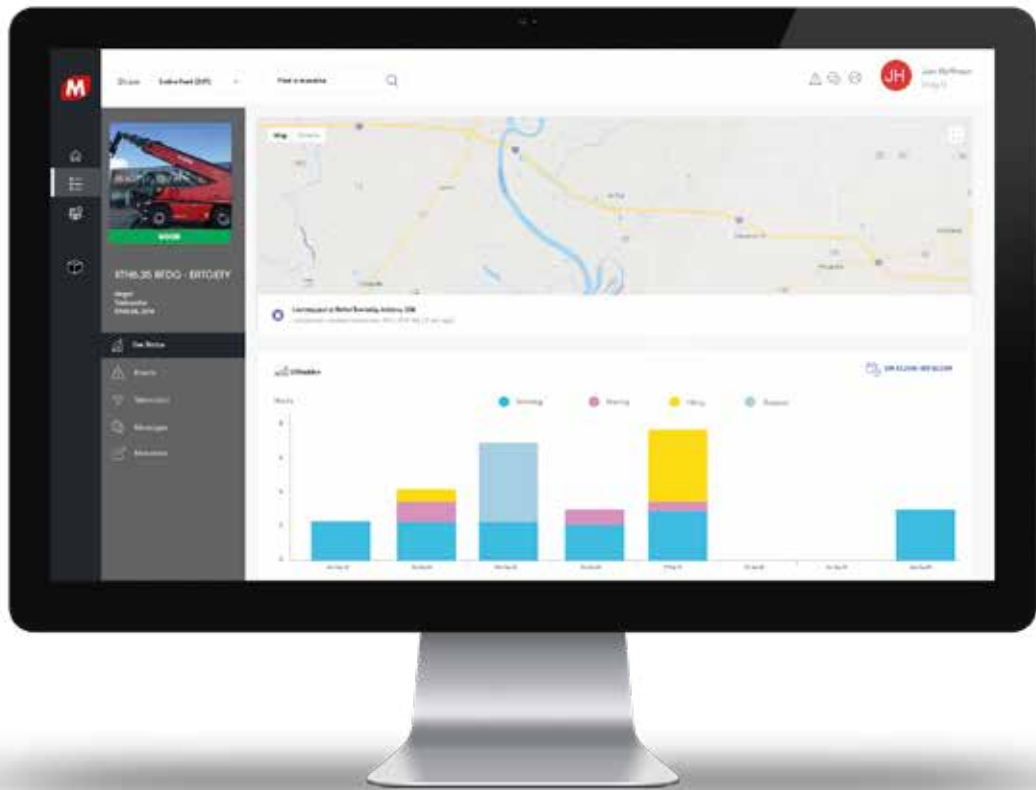
Have your fleet at a fingertip. Enjoy MyMagni free of charge for the first three years on all new machines.



Discover how the new GPS system that Magni Telescopic Handlers fits on each machine can help you manage and monitor your fleet. A total overview that enables you to map and track every movement of your fleet, and displays the most critical items on your dashboard.



EFFICIENT: Monitoring of machine hours and service alerts improve maintenance planning. Machine error warnings and maintenance history records are also available. Technical alarms and maintenance data help to keep your fleet running and in perfect condition at all times. Drive down costs and drive up productivity.



MyMagni Desktop

FLEET HOME

This page displays the exact position of each unit and its operating status, via a colour legend.

CLASSIC

This is an embedded section that provides access to standard modules such as reports, servicing, alarms and access control.

FLEET INVENTORY

Here you can easily segment and chart your fleet, helping you make informed business decisions.

SEARCH FOR A UNIT

Here you can find all the relevant information, such as geolocation and GPS status, in real time simply by setting the appropriate filters available on the page.

CAN BUS DATA

This is the landing page where you can check daily usage, CAN BUS data, and even investigate any current active events for all the machines in your fleet.

TOP FEATURES:

ENGINE

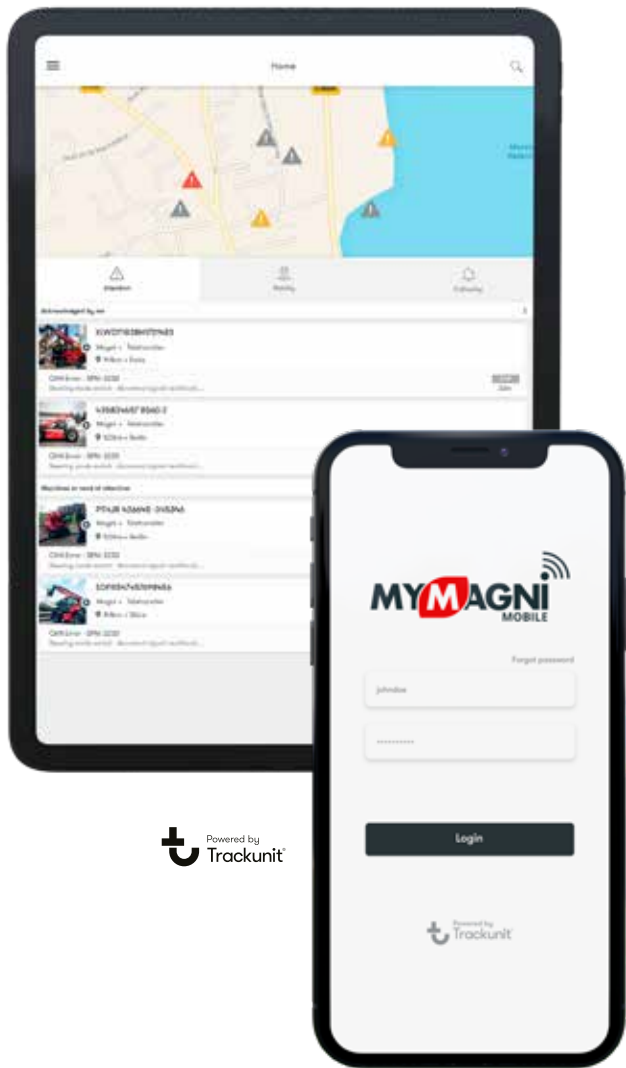


- Engine Hours / Total Vehicle Hours
- Engine Total Fuel Used
- Engine Coolant Temperature
- Engine Oil Temperature
- Engine Oil Level & Pressure

SAFETY



- Alarm Code Error from LMI
- Machine Alarm SPN
- FMI Error Code of Engine Alarm
- Key Bypass



Powered by
Trackunit

MyMagni Mobile

This is a light version designed for mobile fleet management. This app helps you identify machines in need of immediate care, forestalling potential breakdowns. The events engine collects and displays all important machine events such as CAN fault codes, pre-checks and service, damage and even overdue service.

CHAT: this message centre helps keep track of ongoing communication between you and your customer. You can also share high-quality pictures and video content.

MyMagni is available on both the Apple Store and Google Play Store. You can stay connected to your fleet with a simple tap of your smartphone's screen. Resolve issues. Limit downtime.

Have fun with the MyMagni Mobile app!



COMPLIANT WITH:

CE - compliant with the RED Directive 2014/53/EU as stated in the EU Declaration of Conformity.

FCC and IC - the product contains radio transmitters certified in accordance with the relevant parts of CFR 47 and Industry Canada rules and regulations.

PTCRB - certified in accordance with North American Permanent Reference Document 03 for cellular communication and radio resource management protocols.

Automotive - E1-certified as an Electronic Sub-Assembly (ESA) for installation in vehicles according to United Nations (UN) R10.

Environmental class - environmentally tested for use on heavy trucks (SAE J1455) covering vehicles and off-road machinery. Enclosure protection class: IP67.

LOAD / BOOM POSITION



- Current boom length & height
- Actual load & current max. load
- Machine load
- Max load capacity
- Boom in motion

MAINTENANCE

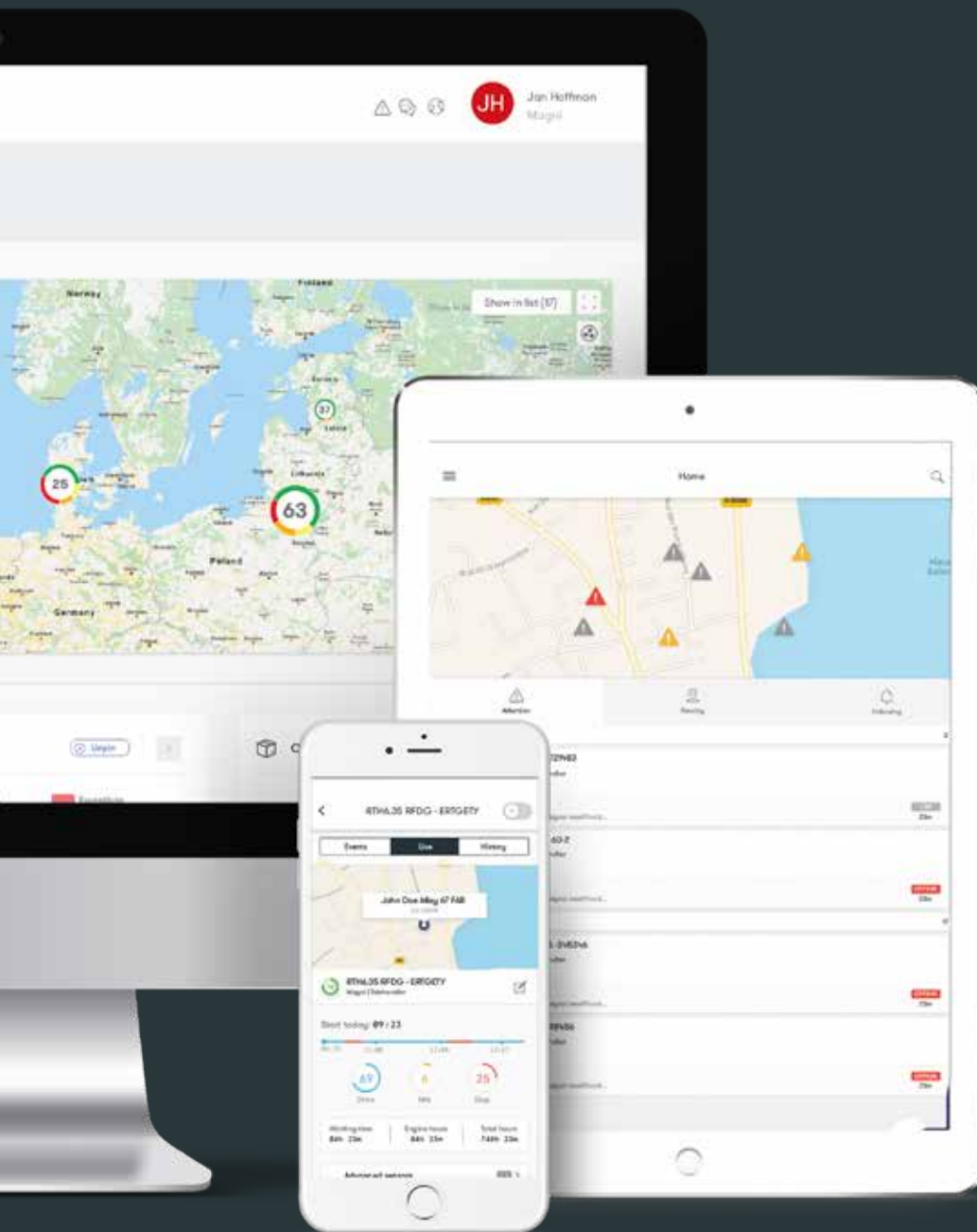


- Schedule your maintenance
- Hours left to maintenance
- Check oil level
- Check filter wear

MACHINE CHECK-UP



- Vehicle speed and direction
- Gear engaged & DEF level
- Working mode & tool configuration
- Post-treatment diesel exhaust fluid tank level
- Battery voltage



SMART: A simple and intuitive interface, optimised for both desktops and portable devices. Each page displays different sets of data, and you can easily navigate between them via a menu. MyMagni allows you to connect to your fleet anywhere in the world.



SAFE: Always keep an eye on your fleet. Real-time geo-fence alarms alert you when the machine leaves a specific operating area, and also notify you of unauthorised use of the machine. Real-time curfew and tow alerts also notify you if a machine is switched on or moved illegally. Safety warnings alert you of malfunctions and safety-related defects.

KEY CHARACTERISTICS

SAFE, STRONG AND RELIABLE

Our Heavy-duty telescopic handlers combine innovation and new technologies to offer high-end performance in each application. The specific research of new materials and electronic components to produce powerful and durable machines is part of the

unique approach of our R&D team. Nonetheless, in Magni, we like to have total control over production, from the supply of raw materials to the production of final product, so we can guarantee top-class standards.



MAX. LIFTING CAPACITY:
10 to 50 tonnes



MAX. LIFTING HEIGHT:
10 to 14 m



GRADEABILITY:
from 34°
to 58°



DRAWBAR PULL
from 88 kN
to 390 kN



OPTIMUM LIFTING PERFORMANCE





WARRANTY

All HTH models feature a 24-month parts and service warranty*.

The Magni Warranty requires your machine to be regularly serviced from new by an authorised Magni dealer.

Our warranty covers any defects attributable to faulty materials or workmanship for a maximum of 2 years or 2,000 machine working hours.

Our Aftersales Team and Spare Parts Department are always ready to support you, every day of the year.

*Consumables are excluded from the warranty.



AUTOMATIC PARKING BRAKE

This function greatly improves the management of the parking brake, making the machine easier and even safer to drive. It can be applied only to machines with engines that meet Stage V specifications.

This function means it is no longer necessary to use the dedicated button on the steering column to engage and disengage the parking brake.

The brake is automatically engaged whenever the vehicle's speed approaches zero, and is disengaged when the FNR is in drive mode and you hit the drive pedal.



GROUND CLEARANCE

Model Name	Ground clearance
HTH 10.10	370 mm
HTH 16.10	440 mm
HTH 20.10	400 mm
HTH 24.11	430 mm
HTH 27.11	530 mm
HTH 30.12	550 mm
HTH 35.12	550 mm
HTH 50.14	620 mm



CAPACITY AT MAX REACH

Model Name	Max. capacity	Max. reach
HTH 10.10	2,6 ton	5,0 m
HTH 16.10	5,0 ton	4,2 m
HTH 20.10	6,5 ton	5,1 m
HTH 24.11	7,2 ton	5,7 m
HTH 27.11	7,5 ton	6,5 m
HTH 30.12	8,0 ton	6,9 m
HTH 35.12	9,0 ton	6,9 m
HTH 50.14	13,0 ton	7,9 m

PERFORMANCE ON TYRES



± 5 ° / ± 10°



0°



± 5 ° / ± 10°

LEVELLING SYSTEM ON TYRES

The levelling system on tyres is standard for all models in the HTH range, and helps the operator to work in total safety even on irregular terrain.

This mechanism lets the driver adjust the machine levelling and have the full load chart for all operations, even with ground inclinations which would normally affect the lifting performance.

Magni has also introduced an **additional** levelling safety device: if the operator tries to manually correct the inclination of the machine on uneven terrain, the system detects the machine inclination and only allows compensation to be performed in the correct direction, preventing any movement which could worsen the situation.



OFF-ROAD

This feature is particularly important when working operations have to take place on unstable ground conditions, such as in mines and quarries, or when you have heavy loads to increase adherence on the ground.

In fact, the 4WD grants optimal traction on difficult terrains (e.g. sand, mud or pebbles). Also, the good ground clearance makes this model very suitable and safe for these uneven grounds.



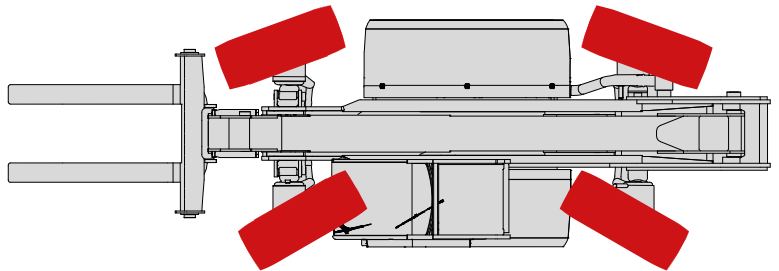
THREE TYPES OF STEERING

The possibility to choose the best movement according to the working space is a fundamental feature. On all HTH machines it is possible to choose the steering type that best suits your tasks:

1

Round steering:

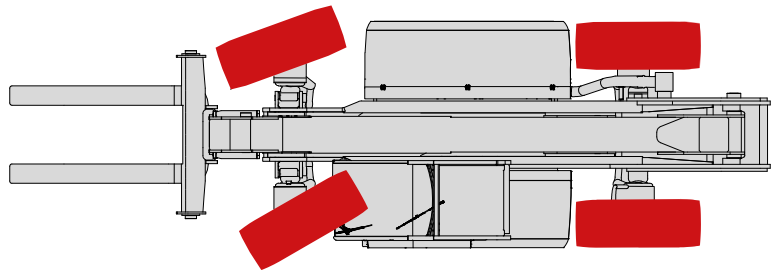
is a short steering mode that has the best turning radius possible to operate in very tight spaces.



2

Front steering:

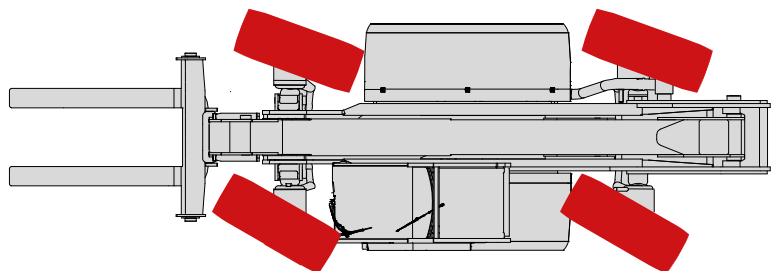
best choice for road circulation or even grounds



3

Crab steering:

allows the machine to approach from the side



TECHNICAL SPECIFICATIONS

TRANSMISSION

On each model, the transmission is different and has been chosen to provide the best performance while working.

The **HTH 30.12**, **HTH 35.12** and **HTH 50.14** are equipped with a hydrostatic transmission that is a heavy-duty automatic shift box type power shift with 3 speeds electronically synchronized. It is a 2WD transmission with automatic engagement of 4WD in case of slippery conditions.

For **HTH 24.11** and **HTH 27.11**, the transmission is hydrostatic and electronically controlled with a central self-locking differential, to prevent slips and problem with adherence to the ground.

For **HTH 10.10**, **HTH 16.10** and **HTH 20.10** the transmission is hydrostatic and electronically controlled made of a variable displacement pump for an accurate handling of the load.



HTH 30.12 / 35.12 / 50.14



The hydraulic circuit is Load Sensing with 350 bars of working pressure; it is composed by a 1/s high precision pump, two electro proportional joysticks and a SIL 2 main valve.

The system responds to the European regulation EN13489 regarding the electrical controls safety. The electronic management of the hydraulic circuit automatically selects the best engine rpm to provide the best performance. This results in a reduction in fuel consumption on long working cycles.

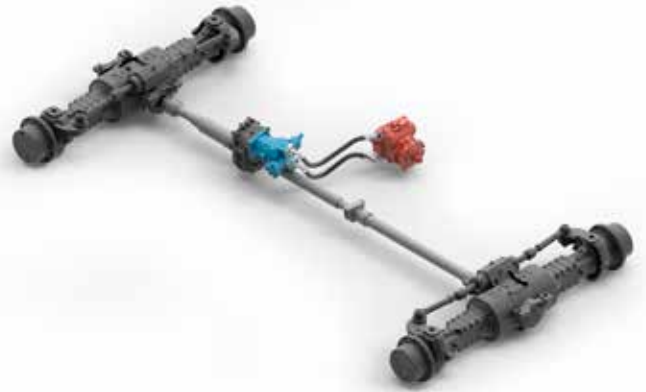
With the Magni software it is possible to manage the flow sharing, and therefore ensuring safety and precision while performing up to 4 hydraulic movements simultaneously.

AXLES

The machines are equipped with heavy duty axles with hydraulic servo-assisted multidisc brake in oil bath, with heavy duty 4 stage epicyclic reduction.



HTH 24.11 / 27.11 / 20.10



HTH 10.10 / 16.10



All engines supplied with the RTH range meet the requirements of Regulation **(EU) 2016/1628** regarding emissions.

Magni will be the first to install Stage V engines.

Volvo and **Deutz** will be our partner for the whole HTH range and will provide reliable and strong performances.

The smallest model HTH 10.10 is equipped with Deutz Stage V engine with 100kW power to perform smoothly every heavy logistics task.

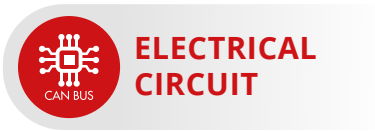
Models HTH 16.10 and HTH 20.10 will be supplied with a 160kW Volvo Stage V engine, whereas bigger models HTH 24.11 and 27.11 will be equipped with 175 kW Volvo Stage V engine.

The biggest of the range, up to the HTH 50.14 will be equipped with the powerful 235 kW Volvo Stage V engine.

This change represents a great step forward for a more sustainable future and Magni has certainly not missed this opportunity!

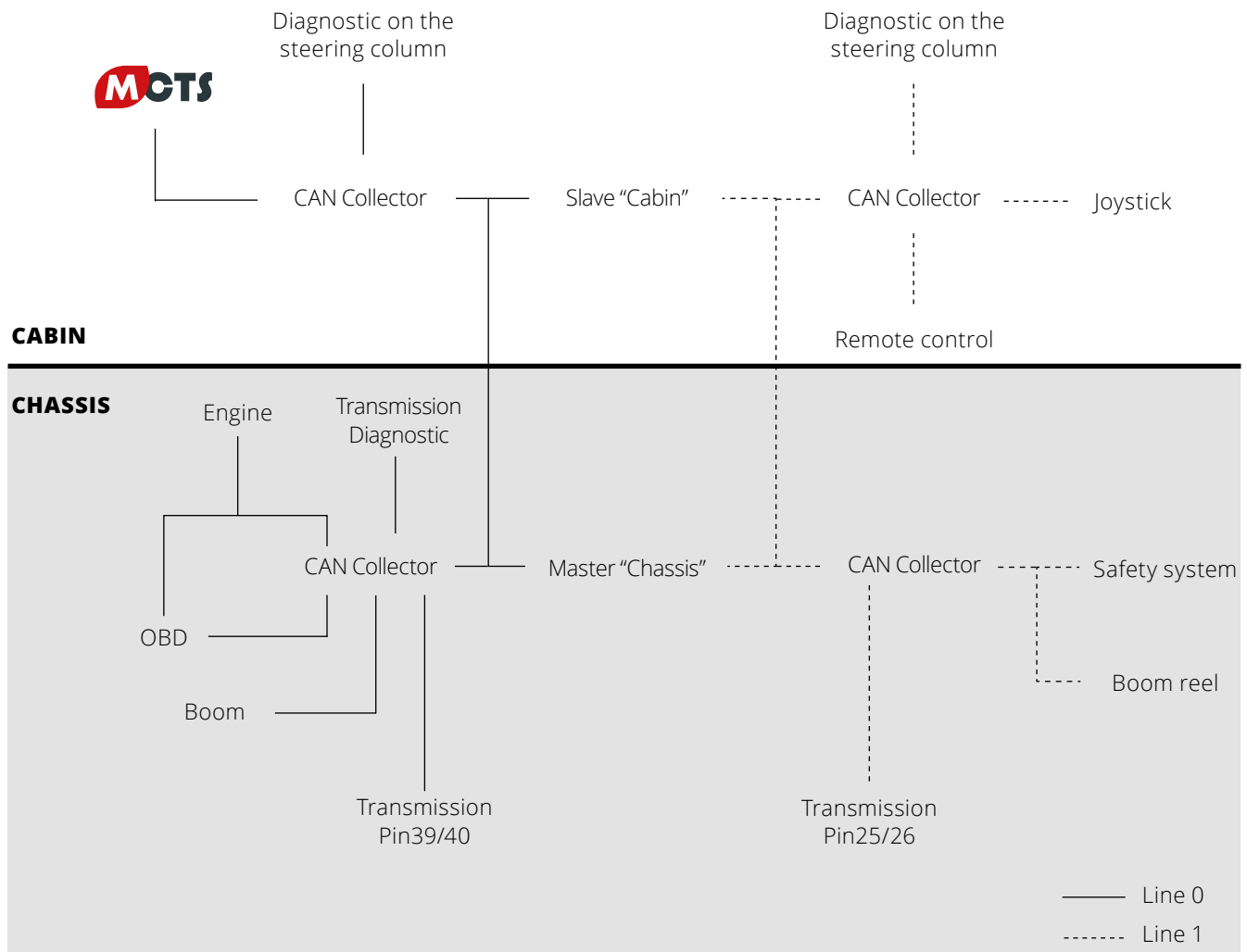


TECHNICAL SPECIFICATIONS



The electric circuit is **IP67** and this means that it is completely protected against all types of dust and water, with a max depth of 1 mt underwater for short periods of time. The electric circuit is 24V and all the electric control units (ECU) are connected with a CAN BUS system. The CAN BUS system has been specifically designed to work without problems even

in environments heavily distributed by the presence of electromagnetic field. CAN BUS technology requires 1/3 less cables, this reduces the risk of failure on the circuit and increases the reliability of the machine, moreover the adoption of standardized interfaces facilitates communication.





TECHNICAL SPECIFICATIONS



AUTOMATIC ATTACHMENT RECOGNITION

An R.F.ID automatic attachment recognition system is fitted as standard to all models in the HTH range, installed on the boom head. When the attachment is coupled to the machine, it is recognised automatically, the display is consequently updated with the corresponding load chart and the load limit device is set for that specific attachment. Thanks to its reduced weight, the new quick-fit system offers improved lifting capacity. This system makes the HTH range much safer, preventing the risk of selecting incorrect attachments.



BOOM STRUCTURE

The very rugged boom is constructed from high-strength steels and designed to guarantee high performances, which means high capacities and high structural rigidity, and therefore high handling precision, while at the same time being an impressively lightweight component, enabling us to optimise the machine to ensure high capacities throughout the working area.

To protect the hydraulic hoses from possible collisions with the external working environment, we have placed them inside the boom. What's more, for greater reliability we have not only used special ducts, fixed to the inside of the boom, to support and guide the mobile hoses during extension and retraction, but have also welded the individual hoses together to form a single pipeline, much stabler, safer and easier to control than a conventional loose hose solution.



TECHNICAL SPECIFICATIONS

LOAD MOMENT INDICATOR

All the Magni telehandlers are equipped with a load limiting system that loads automatically the diagrams for each attachment and continuously analyzes the position of the load in space in each operation. The touch screen display in the cab dynamically shows the

position of the load according to the operator movements. If an overload occurs, the system interrupts the movement immediately, allowing only the retraction and lowering of the boom.



A



Potentiometer for angle and length of boom detection with redundant safety.

B



Dynamic representation of all the collected data on the touch screen for the operator.

C



Detection of load weight through 4 pressure transducers: 2 placed on lifting cylinders and 2 on compensation cylinder.

D



Flashing beacon.



STANDARD ATTACHMENTS

The great potential of Magni machines is completely achieved by choosing the right attachment among all the possible options given. It is in fact true, that all

attachments are interchangeable* giving the possibility to have one machine that can perform more than one task.



Fork carriage
- standard
- with positioner
- with positioner and side shift



Bucket



Winch



Hook

*Excluding HTH 10.10



MINING & QUARRIES SPECIAL ATTACHMENTS

Changing tyres or cylinder, as well as moving and positioning conveyor belts and colis is made super easy with Magni Mining & Quarries special attachments.

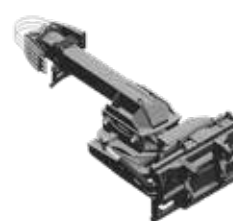
Due to peculiar maneuvers that must be completed in this sector, each attachment of this range has been studied specifically to perform smoothly its task.



Wheel
hub
tool



Cylinder
handler



Suspension
cylinder tool



Conveyor
belt
maintenance



Tyre
handler



Colis
handler



		HTH 10.10
MACHINE MODEL	Maximum lifting capacity	10,000 kg
	Load center	600 mm
	Maximum lifting height	9,50 m
	Maximum reach	5,05 m
ENGINE	Type	Deutz TCD 3,6 L4 - Stage V Deutz TCD 3,6 L4 - Stage IV Deutz TCD 3,6 L4 EDG - Stage IIIA
	Rated power	100 kW (134 hp) @ 2,200 rpm
	Maximum torque	500 Nm @ 1,600 rpm
	Displacement	3.6 l
	Cylinders	4 in line
	Engine configuration	Turbocharged direct injection diesel
	Cooling system	Water - intercooler
CAB	FOPS-ROPS tested hermetic cab with protectors	•
	Front, rear and upper wiper	•
	Headlights for road circulation, flashing beacon	•
	Rear view mirrors	•
	Heating - Air conditioning	•
CONTROLS	Multi-function electro proportional joystick	•
	Heavy Duty with -epicyclic reduction	•
	One steering cylinders each axle	•
	Levelling correction front axle	+ 8° on the right and + 8° on the left
AXLES AND BRAKES	3 types of steering	- with front steering - with round steer - with crab steering
	Tilting rear axle	•
	Hydraulic servo-assisted multidisc brake in oil bath on both axles, with double circuit	•
	Negative parking brake	•
	Tyre size	445/65 - R22,5 ** two each axle, driving and steering
PERFORMANCE	Max. travel speed	40 km/h
	Drawbar pull	84 kN
	Gradeability	66%
	Turning radius (at wheels)	4,100 mm
WEIGHTS	Total unladen	13,100 kg
	Front axle unladen (boom retracted and lowered)	4,600 kg
	Rear axle unladen (boom retracted and lowered)	8,500 kg
TRANSMISSION	Hydrostatics	Rexroth / Danfoss
	Variable displacement hydrostatic pump with electronic control	•
	Variable displacement hydrostatic motor	One
HYDRAULIC CIRCUIT	Gearbox	Gearbox with 2 speeds forward / reverse
	Load sensing piston pump	•
	Circuit at 350 bar	•
	Proportional hydraulic electrovalve	Danfoss
	Suction and return line filters	•
TANKS CAPACITIES	High pressure flexible hoses	•
	Diesel fuel tank	195 l
	AdBlue*	10 l
	Hydraulic fluid	190 l
	Engine oil	9 l
SAFETY	Cooliant	20 l
	Electronic safety system which controls the load with definition of the lifted load, radius and comparison with the diagrams stored	•
	Block of aggravating movements of the load	•
	Safety valves on cylinders	•

HTH 16.10	HTH 20.10	HTH 24.11	
16,000 kg	19,999 kg	24,000 kg	
600 mm	600 mm	900 mm	
9.70 m	9.70 m	10.50 m	
5.00 m	5.10 m	5.70 m	
Volvo TAD582 VE - Stage V Volvo TAD572 VE - Stage IV Volvo TAD552 VE Stage IIIA	Volvo TAD582 VE - Stage V Volvo TAD572 VE - Stage IV Volvo TAD552 VE Stage IIIA	Volvo TAD583 VE - Stage V	Volvo TAD572 VE - Stage IV Volvo TAD552 VE - Stage IIIA
160 kW (218 hp) @ 2,200 rpm	160 kW (218 hp) @ 2,200 rpm	175 kW (238 hp) @ 2,300 rpm	160 kW (218 hp) @ 2,200 rpm
910 Nm @ 1,450 rpm	910 Nm @ 1,450 rpm	975Nm @ 1,380 rpm	910 Nm @ 1,450 rpm
5.13 l	5.13 l	5.13 l	
4 in line	4 in line	4 in line	
Turbocharged diesel direct injection common rail	Turbocharged diesel direct injection common rail	Turbocharged diesel direct injection common rail	
Water - intercooler	Water - intercooler	Water - intercooler	
•	•	•	
•	•	•	
•	•	•	
•	•	•	
•	•	•	
•	•	•	
•	•	•	
•	•	•	
+ 8° on the right and + 8° on the left	+ 8° on the right and + 8° on the left	+ 10° on the right and + 10° on the left	
- with front steering - with round steer - with crab steering	- with front steering - with round steer - with crab steering	- with front steering - with round steer - with crab steering	
•	•	•	
•	•	•	
•	•	•	
16,00 - R25 ** two each axle, driving and steering	16,00 - R25 ** two each axle, driving and steering	18,00 - R25 ** two each axle, driving and steering	
25 km/h	25 km/h	25 km/h	
113 kN	156 kN	184 kN	
60%	66%	67%	
5,060 mm	5,729 mm	5,410 mm	
19,200 kg	24,000 kg	29,700 kg	
7,200 kg	8,000 kg	9,200 kg	
12,000 kg	16,000 kg	20,500 kg	
Rexroth / Danfoss	Rexroth / Danfoss	Rexroth / Danfoss	
•	•	•	
One	One	One	
Gearbox with 2 speeds forward / reverse	Gearbox with 2 speeds forward / reverse	Gearbox with 2 speeds forward / reverse Differential hydraulic locking	
•	•	•	
•	•	•	
Danfoss	Bosch/Bucher	Bucher	
•	•	•	
•	•	•	
270 l	270 l	195 l	
40 l	40 l	40 l	
195 l	195 l	220 l	
16 l	16 l	16 l	
40 l	40 l	40 l	
•	•	•	
•	•	•	
•	•	•	

*Applicable just for Stage IV and Stage V engines.

HTH 27.11

MACHINE MODEL	Maximum lifting capacity	27.000 kg	
	Load center	1,200 mm	
	Maximum lifting height	10.90 m	
	Maximum reach	6.60 m	
ENGINE	Type	Volvo TAD583 VE - Stage V	Volvo TAD572 VE - Stage IV Volvo TAD552 VE - Stage IIIA
	Rated power	175 kW (238 hp) @ 2,300 rpm	160 kW (218 hp) @ 2,200 rpm
	Maximum torque	975Nm @ 1,380 rpm	910 Nm @ 1,450 rpm
	Displacement	5.13 l	
	Cylinders	4 in line	
	Engine configuration	Turbocharged direct injection diesel	
	Cooling system	Water - intercooler	
	CAB	FOPS-ROPS tested hermetic cab with protectors	•
Front, rear and upper wiper		•	
Headlights for road circulation, flashing beacon		•	
Rear view mirrors		•	
Heating - Air conditioning		•	
CONTROLS	Multi-function electro proportional joystick	•	
	Heavy Duty with -epicyclic reduction	•	
	One steering cylinders each axle	•	
	Levelling correction front axle	+ 5° on the right and + 5° on the left	
AXLES AND BRAKES	3 types of steering	- with front steering - with round steer - with crab steering	
	Tilting rear axle	•	
	Hydraulic servo-assisted multidisc brake in oil bath on both axles, with double circuit	•	
	Negative parking brake	•	
	Tyre size	26,5 - R25 ** two each axle, driving and steering	
PERFORMANCE	Max. travel speed	25 km/h	
	Drawbar pull	194 kN	
	Gradeability	56%	
	Turning radius (at wheels)	8,520 mm	
WEIGHTS	Total unladen	35,500 kg	
	Front axle unladen (boom retracted and lowered)	12,700 kg	
	Rear axle unladen (boom retracted and lowered)	22,800 kg	
TRANSMISSION	Hydrostatics	Rexroth / Danfoss	
	Variable displacement hydrostatic pump with electronic control	•	
	Variable displacement hydrostatic motor	One	
	Gearbox	Gearbox with 2 speeds forward / reverse Differential hydraulic locking	
HYDRAULIC CIRCUIT FOR MOVEMENTS	Load sensing piston pump	•	
	Circuit at 350 bar	•	
	Proportional hydraulic electrovalve	Bucher	
	Suction and return line filters	•	
	High pressure flexible hoses	•	
TANK AND SYSTEM CAPACITIES	Diesel fuel tank	340 l	
	AdBlue*	40 l	
	Hydraulic fluid	355 l	
	Engine oil	27 l	
	Cooliant	50l	
SAFETY	Electronic safety system which controls the load with definition of the lifted load, radius and comparison with the diagrams stored	•	
	Block of aggravating movements of the load	•	
	Safety valves on cylinders	•	

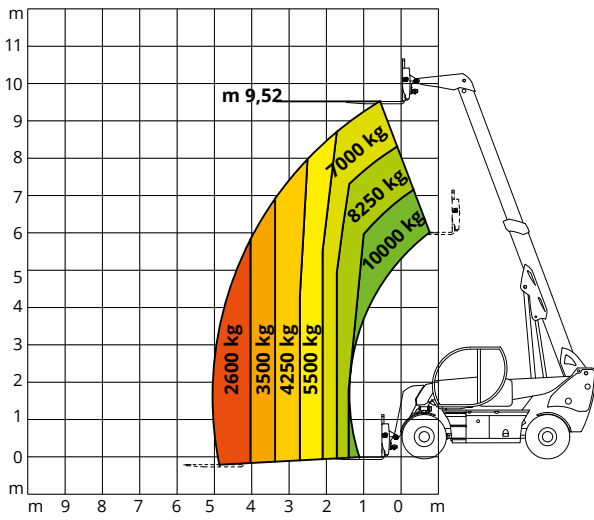
HTH 30.12		HTH 35.12		HTH 50.14	
30,000 kg		35,000 kg		50,000 kg	
1,200 mm		1,200 mm		1,200 mm	
11.40 m		11.40 m		14.00 m	
6.90 m		6.90 m		8.00 m	
Volvo TAD883VE Stage V	Volvo TAD873VE Stage IV Volvo TAD853VE Stage IIIA	Volvo TAD884VE Stage V	Volvo TAD873VE Stage IV Volvo TAD853VE Stage IIIA	Volvo TAD883VE Stage V	Volvo TAD873VE Stage IV Volvo TAD853VE Stage IIIA
235 kW (320 hp) @ 2200 rpm		250 kW (340 hp) @ 2200 rpm	235 kW (320 hp) @ 2200 rpm	235 kW (320 hp) @ 2200 rpm	
1,300 Nm @ 1,400 rpm	1,310 Nm @ 1,450 rpm	1,360 Nm @ 1,400 rpm	1,310 Nm @ 1,450 rpm	1,300 Nm @ 1,400 rpm	1,310 Nm @ 1,450 rpm
7.7 l		7.7 l		7.7 l	
4 in line		4 in line		4 in line	
Turbocharged diesel direct injection common rail		Turbocharged diesel direct injection common rail		Turbocharged diesel direct injection common rail	
Water - intercooler		Water - intercooler		Water - intercooler	
•		•		•	
•		•		•	
•		•		•	
•		•		•	
•		•		•	
•		•		•	
•		•		•	
•		•		•	
+ 5° on the right and + 5° on the left		+ 5° on the right and + 5° on the left		+ 5° on the right and + 5° on the left	
- with front steering		- with front steering		- with front steering	
- with round steer		- with round steer		- with round steer	
- with crab steering		- with crab steering		- with crab steering	
•		•		•	
•		•		•	
•		•		•	
29,5 - R25 ** two each axle, driving and steering 24.00-35**optional		29,5 - R25 ** two each axle, driving and steering		29,5 - R25 ** two each axle, driving and steering	
25 km/h		25 km/h		20 km/h	
365 kN		365 kN		390 kN	
54%		45%		50%	
9,710 mm		9,710 mm		9,600 mm	
40,900 kg		44,800 kg		65,000 kg	
18,700 kg		14,800 kg		28,000 kg	
22,200 kg		30,000 kg		40,000 kg	
Rexroth		Rexroth		Rexroth	
•		•		•	
Two		Two		Two	
Hydraulic gearbox with 3 speeds powershift forward / reverse Differential hydraulic locking		Hydraulic gearbox with 3 speeds powershift forward / reverse Differential hydraulic locking		Hydraulic gearbox with 3 speeds powershift forward / reverse Differential hydraulic locking	
•		•		•	
•		•		•	
Bucher		Bucher		Bucher	
•		•		•	
•		•		•	
340 l		340 l		N.D.	
40 l		40 l		N.D.	
355 l		355 l		N.D.	
27 l		27 l		N.D.	
50l		50l		N.D.	
•		•		•	
•		•		•	
•		•		•	

*Applicable just for Stage IV and Stage V engines.

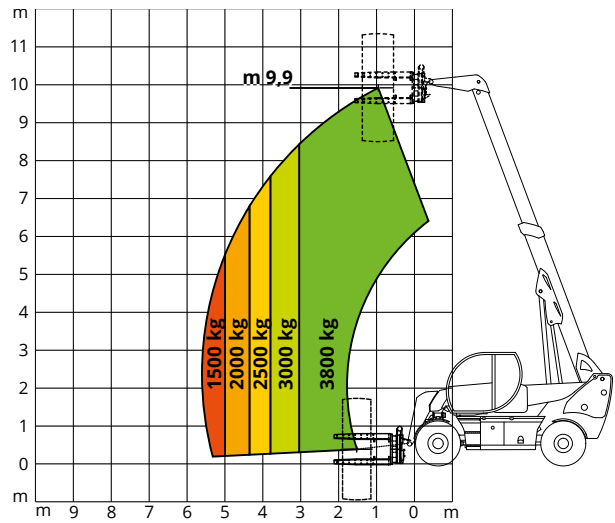
LOAD CHARTS

HTH 10.10

LOAD CHART WITH FORKS

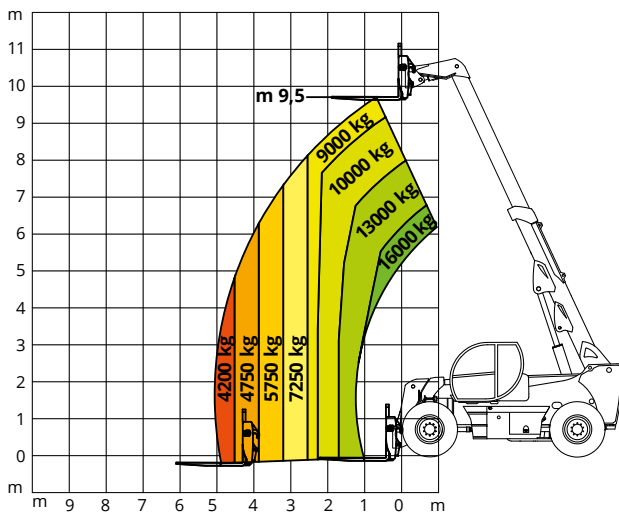


LOAD CHART WITH TYRES CLAMP MODEL TC3,8-49

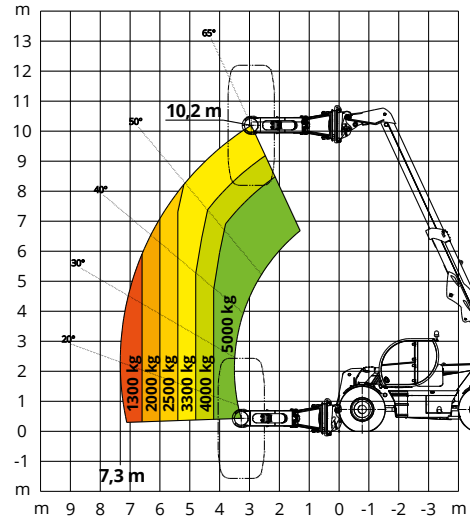


HTH 16.10

LOAD CHART WITH FORKS

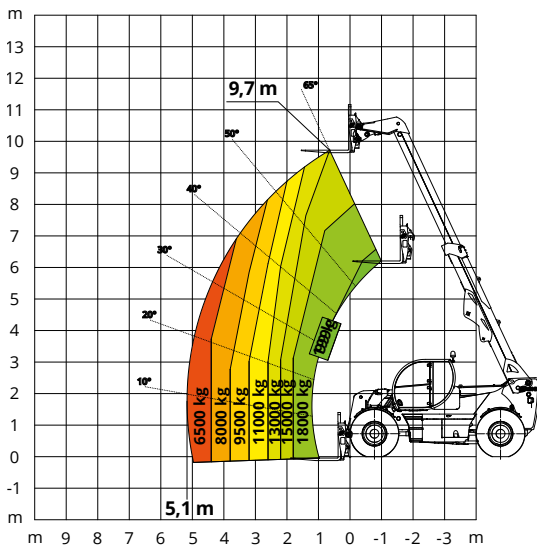


LOAD CHART WITH TYRES CLAMP MODEL TC 08.63

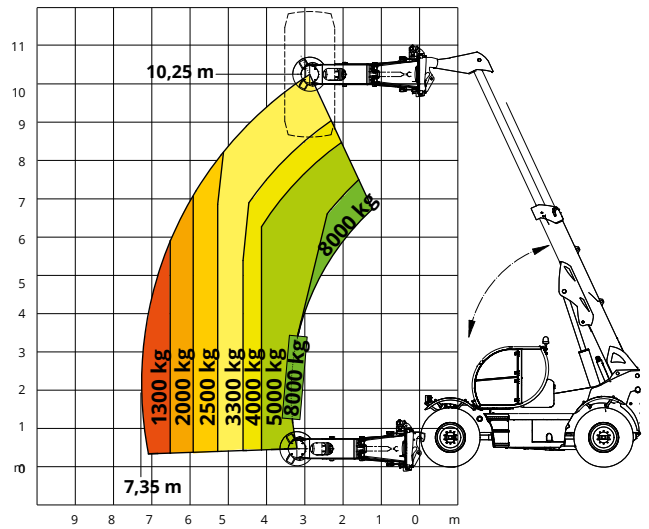


HTH 20.10

LOAD CHART WITH FORKS

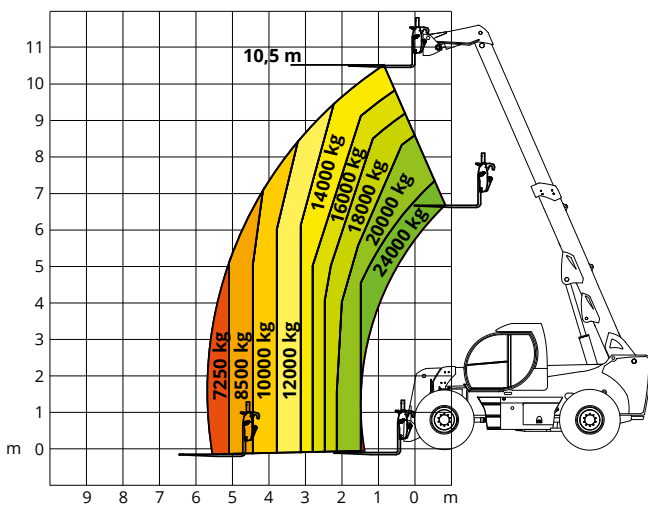


LOAD CHART WITH TYRES CLAMP MODEL TC 08.63

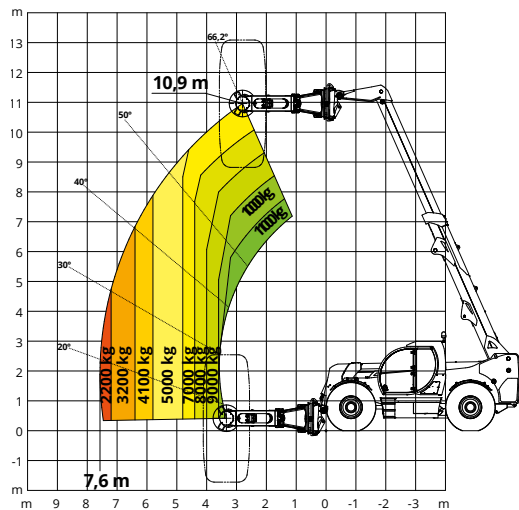


HTH 24.11

LOAD CHART WITH FORKS



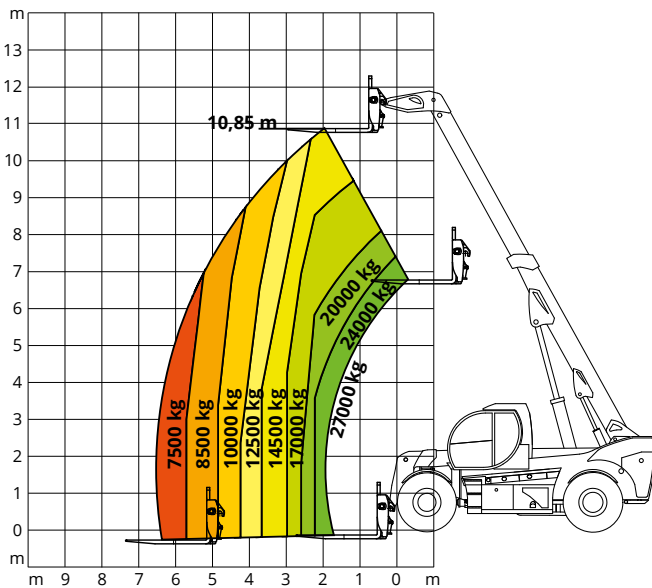
LOAD CHART WITH TYRES CLAMP MODEL TC 16.63



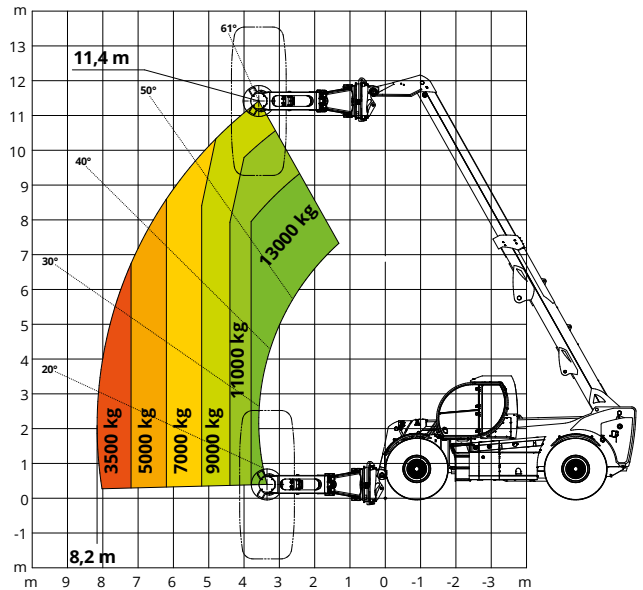
LOAD CHARTS

HTH 27.11

LOAD CHART WITH FORKS

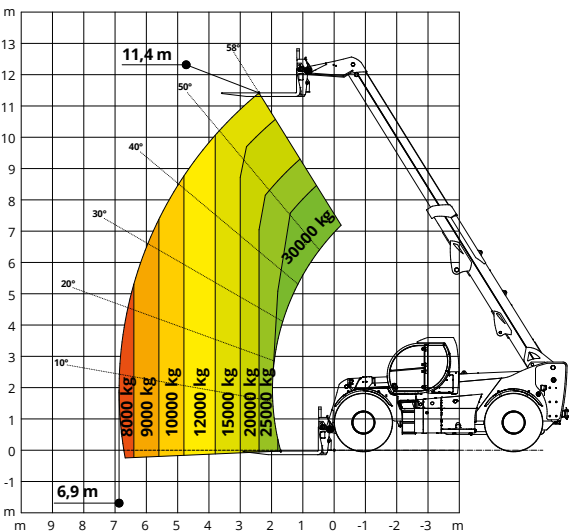


LOAD CHART WITH TYRES CLAMP MODEL TC 16.63

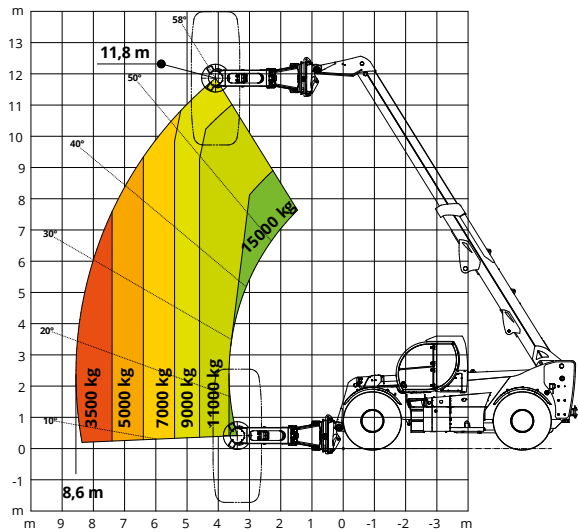


HTH 30.12

LOAD CHART WITH FORKS

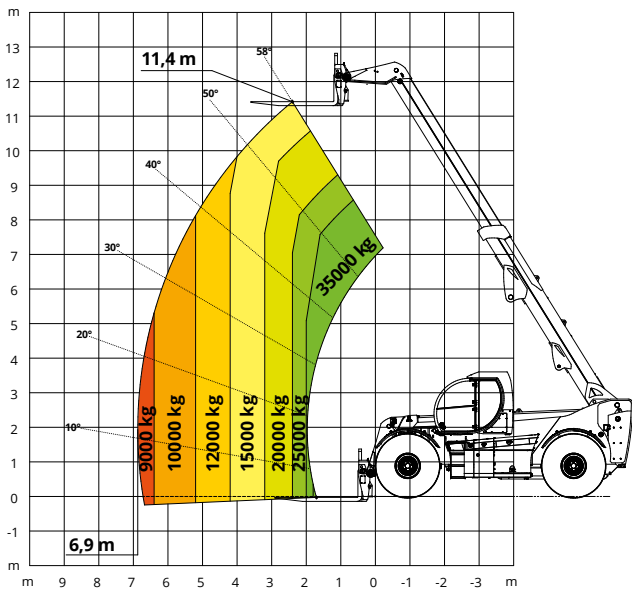


LOAD CHART WITH TYRES CLAMP MODEL TC 16.63

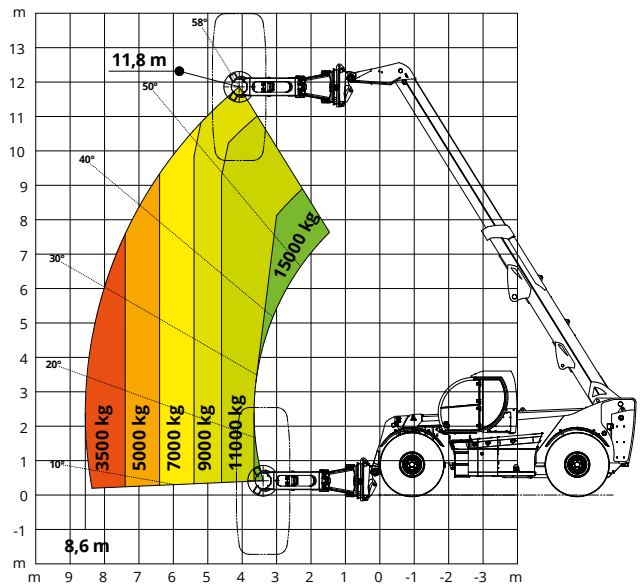


HTH 35.12

LOAD CHART WITH FORKS

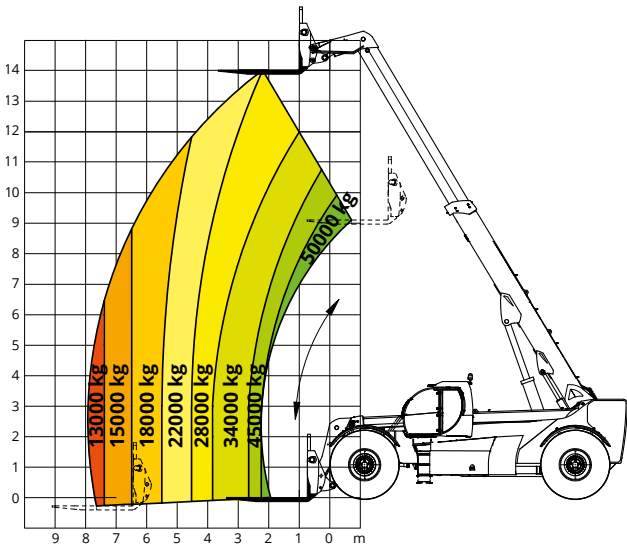


LOAD CHART WITH TYRES CLAMP MODEL TC 16.63

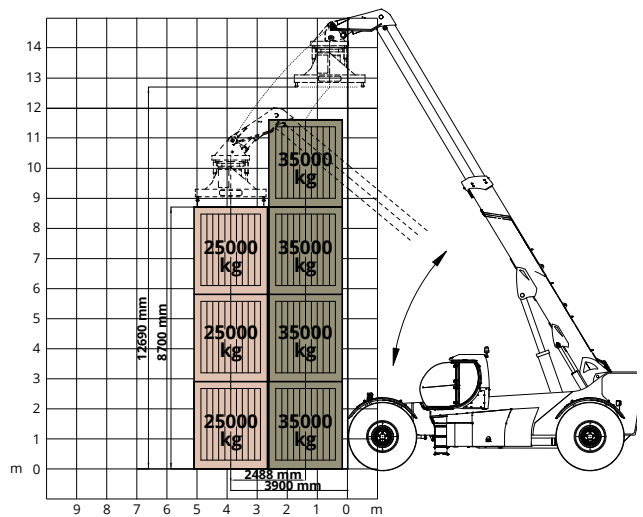


HTH 50.14

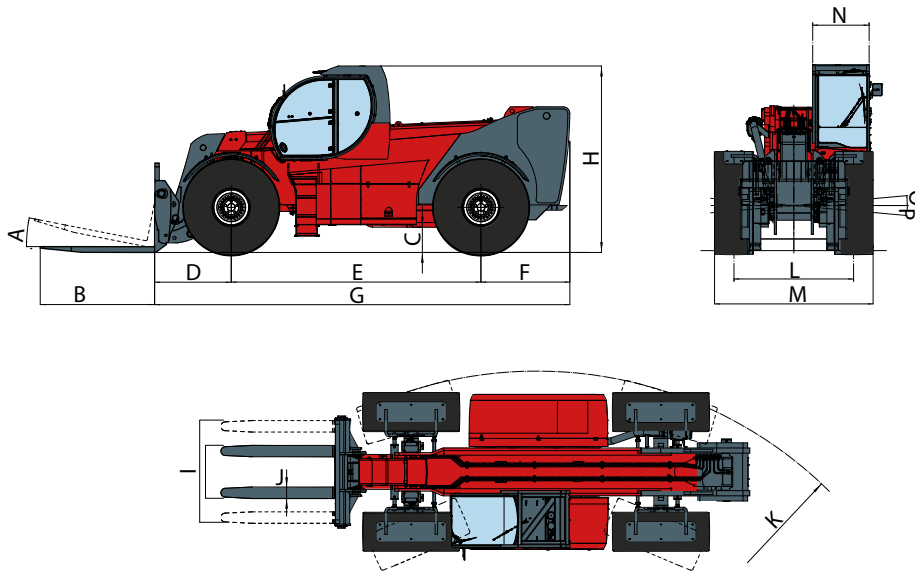
LOAD CHART WITH FORKS



LOAD CHART WITH CONTAINER SPREADER 20"-40"



MACHINE DIMENSIONS



DIMENSIONS

		HTH 10.10	HTH 16.10	HTH 20.10	HTH 24.11	HTH 27.11	HTH 30.12	HTH 35.12	HTH 50.14
A		14°	12°	12°	12°	11°	11°	11°	11°
B *		1500	1500	1500	1800	2400	2400	2400	2400
C *		370	440	400	430	530	550	550	620
D *		1000	1150	855	1270	1340	1440	1440	1595
E *		3300	4000	4000	4000	4500	4800	4800	6900
F *		1370	1230	1275	1650	1710	1710	1710	1710
G *		5660	6380	6425	6920	7550	7950	7950	10705
H *		2990	3100	3150	3000	3520	3600	3600	3800
I *	max	1740	2000	2006	1990	2400	1990	2030	on request
	min	820	1160	1120	1250	1430	1360	1400	
J *		200	200	200	250	300	300	320	on request
K *		4100	5060	5729	5410	8520	9710	9710	9600
L *		2070	2020	2050	2400	2230	2250	2250	2560
M *		2550	2550	2550	2960	2975	3000	3000	3203
N *		1050	1050	1050	1050	1050	1050	1050	1050
O		8°	8°	8°	10°	5°	5°	5°	5°
P		8°	8°	8°	10°	5°	5°	5°	5°

* measures expressed in mm

www.magnith.com